

F3RE66

ANTEO F3RE66 AM SERIES SPECIFICATIONS				
MODEL		F3RE 66 EA70	F3RE 66 EA74	F3RE 66 EA84
PLATFORM LENGTH	in	70	74	84
PLATFORM WIDTH	in	94		
WEIGHT	lb	1431	1476	1613
CAPACITY	lb	6600		
CURRENT DRAW	amp	195		
FULL LOAD RAISE SPEED	in/s	3		
FULL LOAD LOWER SPEED	in/s	5		
HYDRAULIC FLUID TANK CAPACITY	gal	3.1		
MOTOR RATED HORSEPOWER	hp	2.1		
MAX. RELIEF VALVE SETTING	psi	3190		

LOAD CAPACITY AT DISTANCE (X) FROM THE EDGE OF PLATFORM (inches)									
(X)		0"--24"	30"	35"	40"	45"	50"	55"	60"
F3RE66	LOAD CAPACITY (lbs)	6600	5280	4400	3960	3630	3190	2860	2640

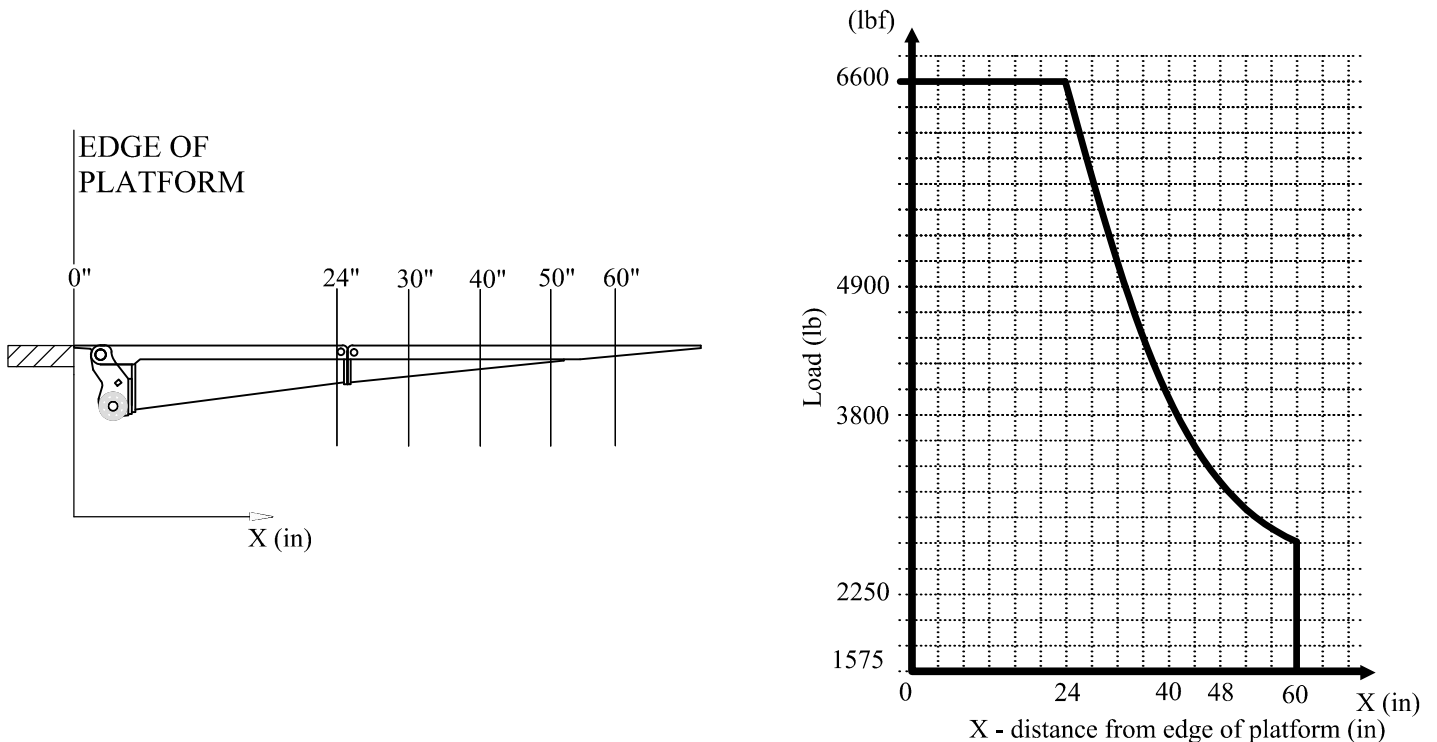


Figure 1 : F3RE66 Load Capacity

Table 1: Platform Options.

F3RE66 H1							
Model	Platform Length (B)	J	K	Taper	Minimum Bed Height (D)	Maximum Bed Height (D)	Gate Weight
F3RE 66 EA70	70"	29.5"	40.5"	0"	35"	54"	1431 Lbs
F3RE 66 EA74	74"	33.5"	40.5"				1476 Lbs
F3RE 66 EA84	84"	39.5"	44.5"				1613 Lbs

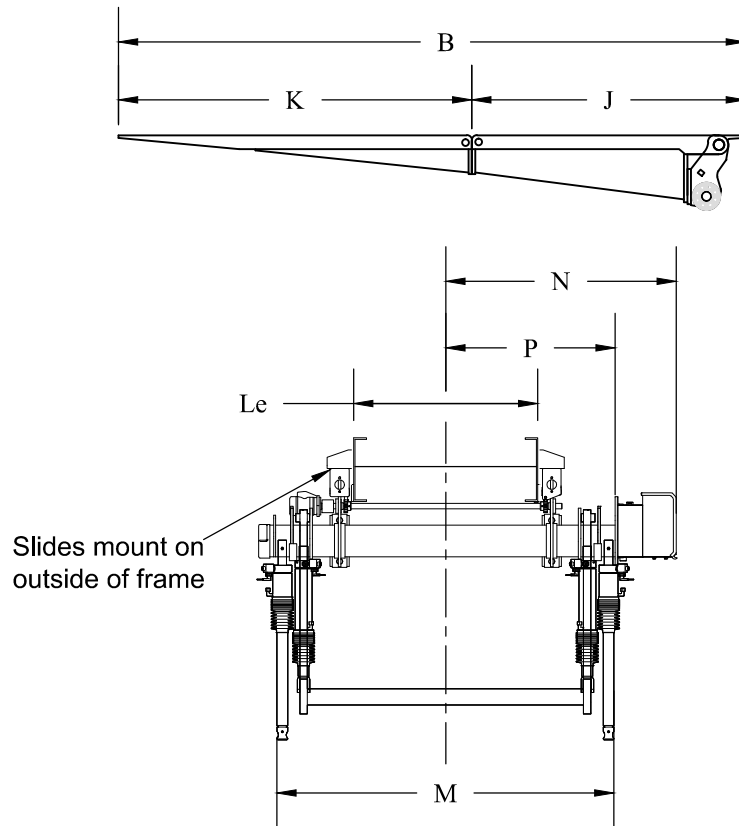
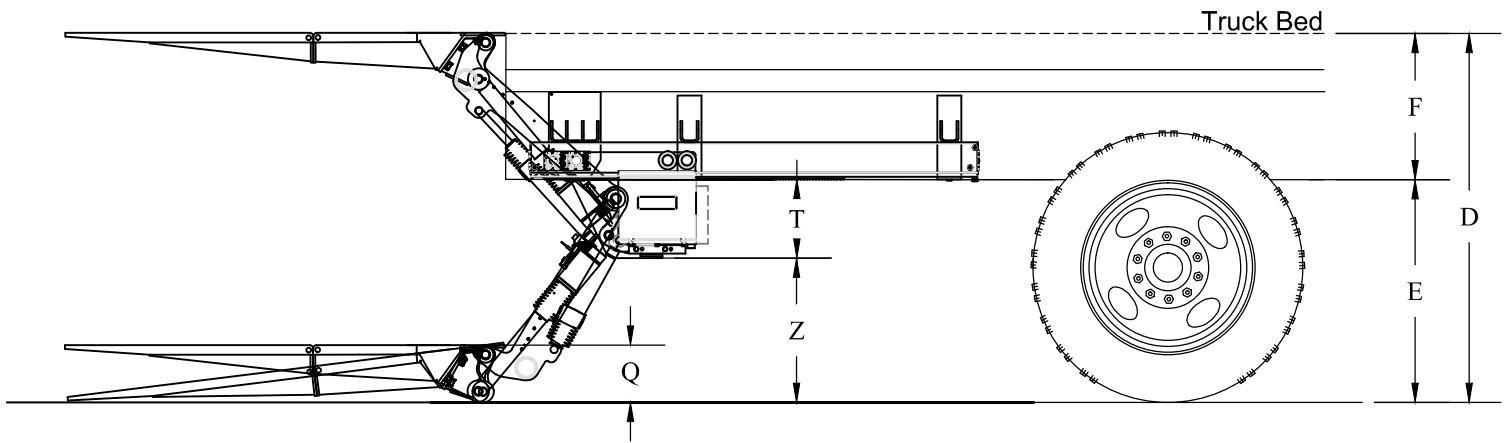


Figure 2 : For Use With Table 2 And Table 3

SIDE VIEW - LIFTGATE DEPLOYED



SIDE VIEW - LIFTGATE STOWED

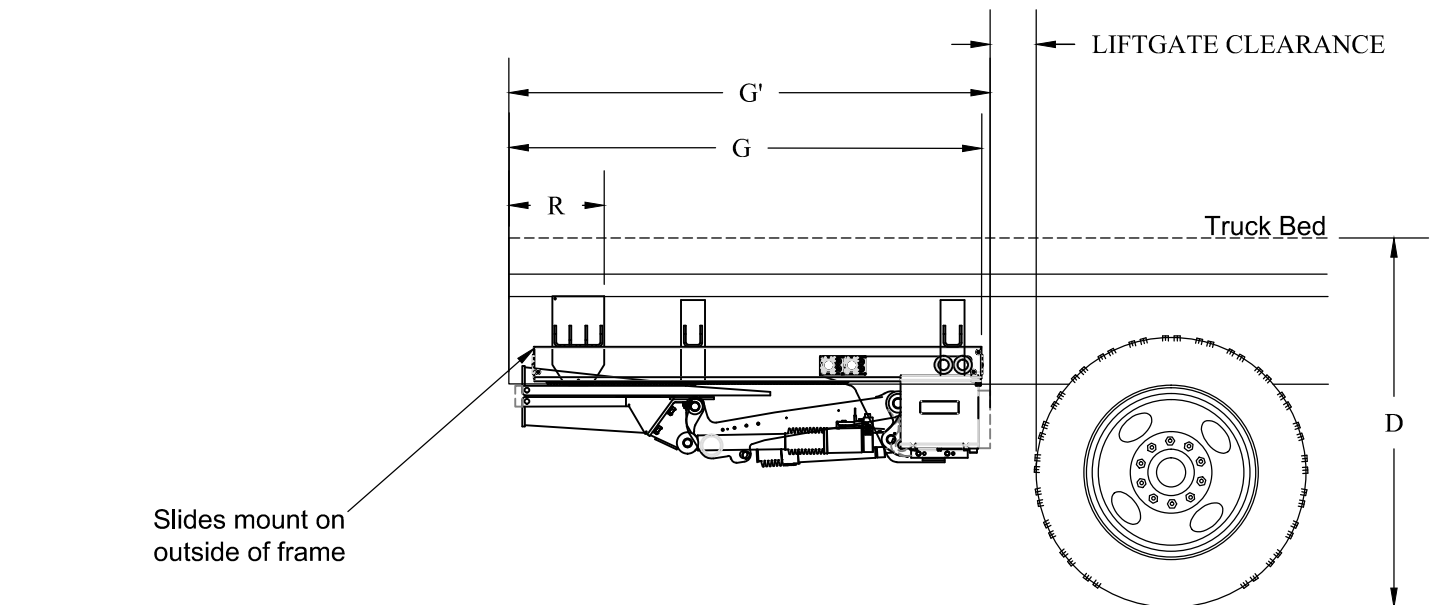


Figure 3 : For Use With Table 2 and Table 3

Table 2: Installation Dimensions.

F3RE66 H1 - 6600 Lbs																
D- BED HEIGHT	E		F		R	Z	F3RE66 Model	G	G'	Le		P	Q	M	N	T
min. 35 max. 54	min	max	min	max				min	min	max	min				min	
	23.0	29.5	12.0	24.5	Table 3	Z= E -13	F3RE 66 EA70	77.5	77.7	34.2	29.5	29.8	9.3	60.2	41.3	13.0
	Measure		F = D - E				F3RE 66 EA74	81.5	81.7							
				F3RE 66 EA84			87.4	87.6								
All dimensions in inches																
E: distance between the bottom of the frame and the ground																
F: Combined height of Body Bed + Long Sills + Truck Frame + Sub Frame (trailers): F= D - E																
R: Recomend installation position dimension determined from installation instruction "Table for extrapolation of distance R"																
Z (ground clearance): distance between the ground and the lowest part of the trunion: Z = E - 13																
G: distance between back of the truck and the end of the rail guide																
G': distance between the back of the truck and the end of the power unit																

Table 3: Table for extrapolation of distance R

F	R	F	R
24.50	7.48	18.11	13.62
24.41	7.60	17.72	13.90
24.02	8.11	17.32	14.17
23.62	8.54	16.93	14.45
23.23	9.02	16.54	14.69
28.83	9.45	16.14	14.96
22.44	9.84	15.75	15.20
22.05	10.24	15.35	15.43
21.65	10.63	14.96	15.67
21.26	11.02	14.57	15.87
20.87	11.38	14.17	16.10
20.47	11.73	13.78	16.30
20.08	12.05	13.39	16.50
19.69	12.40	12.99	16.69
19.29	12.72	12.60	16.89
18.90	13.03	12.20	17.05
18.50	13.31	12.00	17.13

INSTRUCTIONS TO DETERMINE IF F3RE FITS ON THE TRUCK OR TRAILER

Follow the steps below to find the key dimensions for fitting the gate and complete Table 4, in order to determine if the gate will fit on the truck or trailer. **ALL THE DIMENSIONS** found for Table 4 must be in accordance with the MIN-MAX column for the gate to fit.

STEP 1) Measure bed height (D dimension).

STEP 2) Measure distance between the bottom of the truck or trailer frame and ground (E dimension).

STEP 3) Calculate combined height of Body Bed + Long Sills + Truck Frame + Sub Frame (trailers): $F = D - E$

STEP 4) Measure horizontal clearance from the back of the truck or trailer along the frame to spring shackle or other obstruction (G dimension). This will determine if the slides fit.

STEP 5) Measure distance between the back of the truck or trailer to the first obstruction under the frame level (G' dimension). This will determine if the gate mechanism and frame will fit.

STEP 6) Measure outside width of truck or trailer frame (Le dimension).

STEP 7) Measure body width dimension to make sure the platform width does not exceed it.

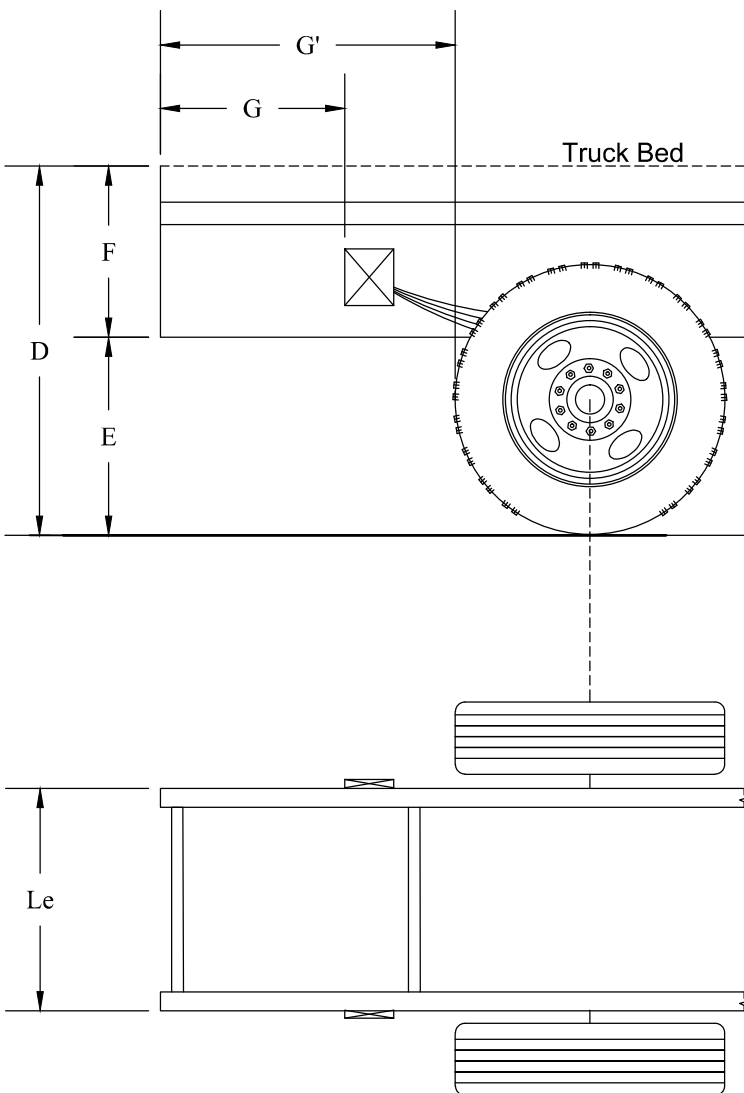


Table 4: F3RE66 H1 - Key Dimensions

Dimension	Dimension Found	MIN - MAX	
D		35"-54"	
E		23.0"-29.5"	
F		12.0"-24.5"	
G	F3RE66 EA70	min 77.5"	clearance required
	F3RE66 EA74	min 81.5"	clearance required
	F3RE66 EA84	min 87.4"	clearance required
G'	F3RE66 EA70	min 77.7"	clearance required
	F3RE66 EA74	min 81.7"	clearance required
	F3RE66 EA84	min 87.6"	clearance required
Le		29.5" - 34.2"	