

ANTEO F3CL49 SERIES SPECIFICATIONS				
MODEL		F3CL 49 EA70	F3CL 49 EA78	F3CL 49 EA86
PLATFORM LENGTH	in	70	78	86
PLATFORM WIDTH	in	94		
WEIGHT*	lb	1090	1120	1155
CAPACITY	lb	4900		
CURRENT DRAW	amp	185		
FULL LOAD RAISE SPEED	in/s	3		
FULL LOAD LOWER SPEED	in/s	5		
HYDRAULIC FLUID TANK CAPACITY	gal	2.6		
MOTOR RATED HORSEPOWER	hp	2.1		
MAX. RELIEF VALVE SETTING	psi	2900		

*Includes bumper

LOAD CAPACITY AT DISTANCE (X) FROM THE EDGE OF PLATFORM (inches)									
(X)		0" ----- 24"	30"	35"	40"	45"	50"	55"	60"
F3CL49	LOAD CAPACITY (lbs)	4900	4070	3410	3025	2695	2310	2225	2145

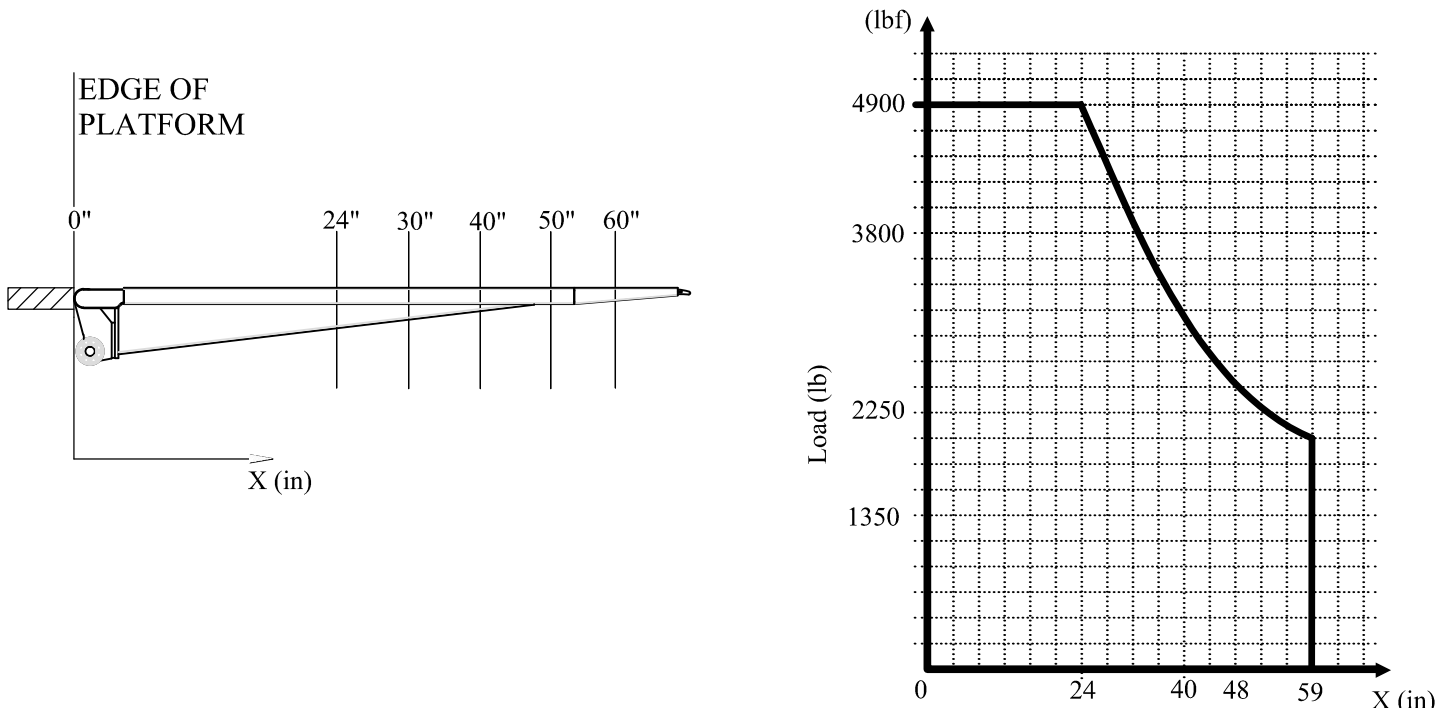


Figure 1: F3CL49 Load Capacity X - distance from edge of platform (in)

Table 1: Platform Options.

F3CL49 HS					
Model	Platform Length (B)	Taper	Minimum Bed Height (D)	Maximum Bed Height (D)	Gate Weight*
F3CL 49 EA70	70"	0"	39"	56"	1090 Lbs
F3CL 49 EA78	78"				1120 Lbs
F3CL 49 EA86	86"				1155 Lbs

*Includes bumper

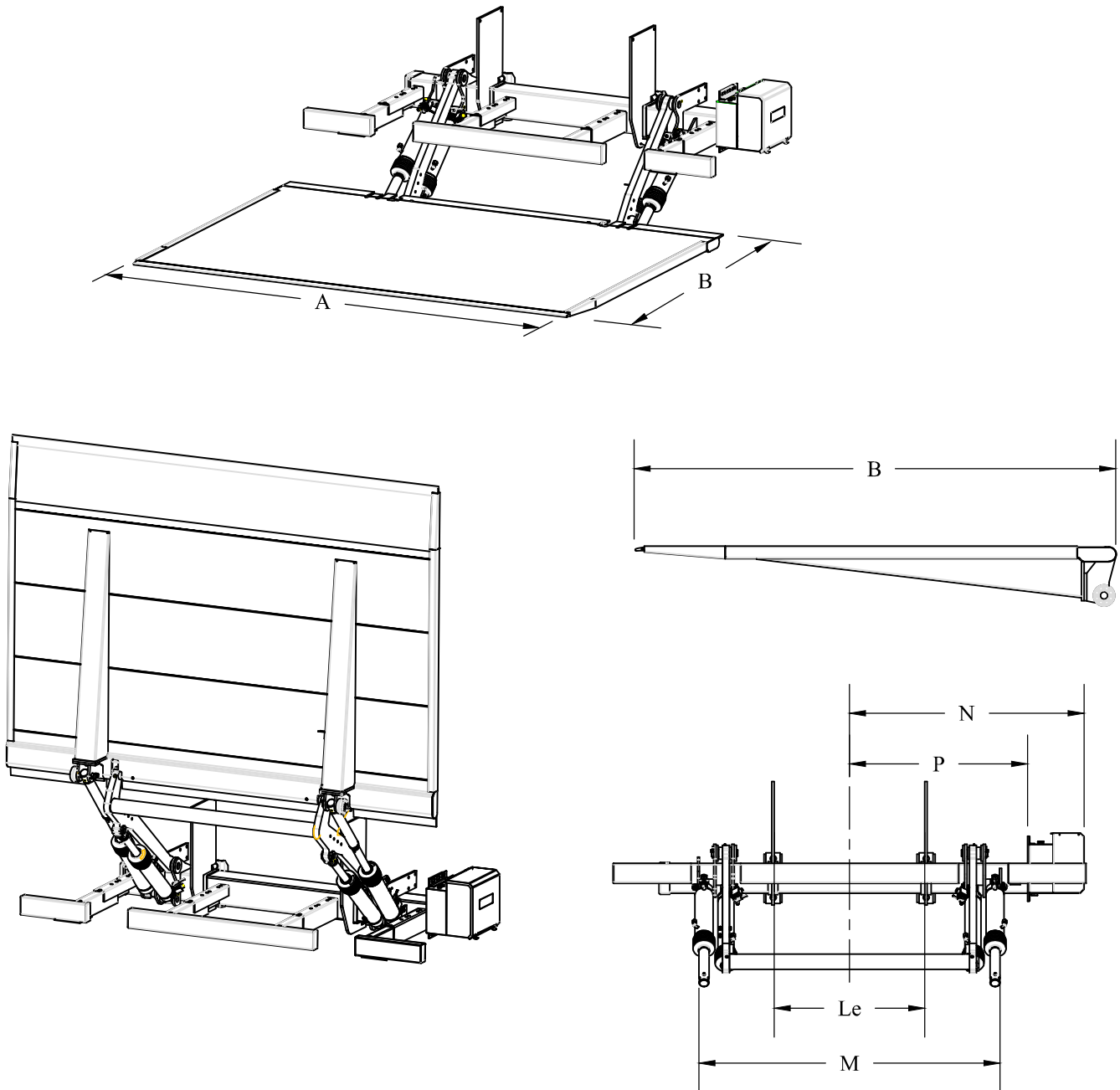


Figure 2 : For Use With Table 2 And Appendix A

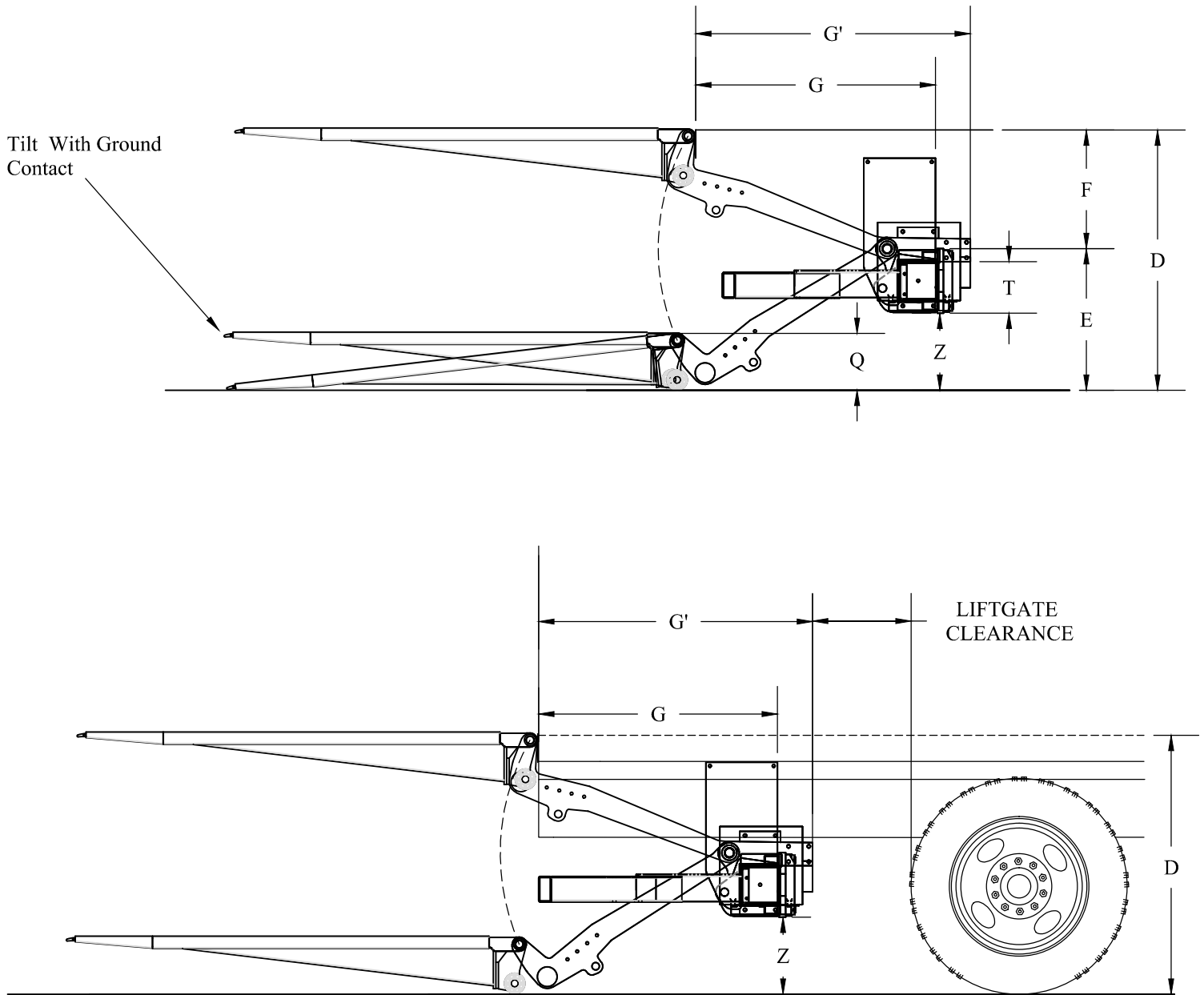


Figure 3: For Use With Table 2 And Appendix A

F3CL49

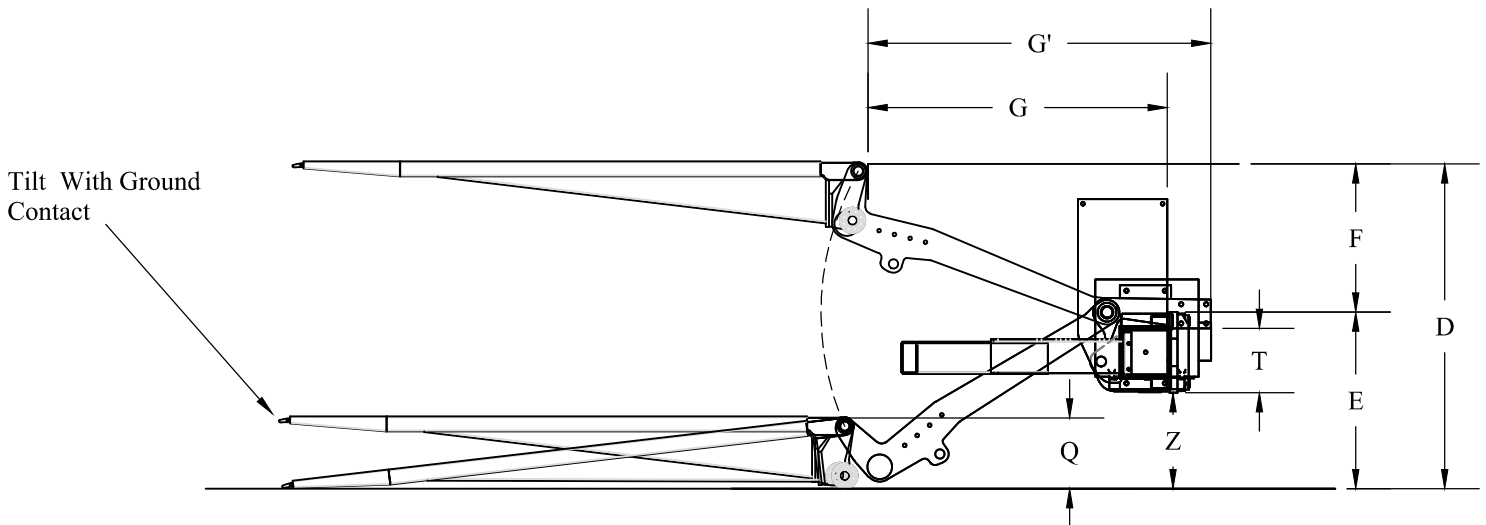
The following table presents Anteo USA suggestion for installation dimensions, using a combination of minimal ground clearance (Z) and maximum liftgate to truck axle clearance. For the complete list of dimensions sorted by BED HEIGHT (D) check the APPENDIX A.

Table 2: Suggested Installation Dimensions.

F3CL49 HS - 4900 Lbs												
D- BED HEIGHT	E	F	G	G'	Z	Le		P	Q	M	N	T
						max	min				min	
38	19.5	18.5	36.96	42.34	9.60	34.2	29.5	34.1	8.7	59.2	46.1	10.1
39	20.5	18.5	36.96	42.34	10.60							
40	21.5	18.5	36.96	42.34	11.60							
41	22.5	18.5	36.96	42.34	12.60							
42	22.5	19.5	36.37	41.75	12.60							
43	22.5	20.5	35.74	41.12	12.60							
44	22.5	21.5	35.06	40.43	12.60							
45	22.5	22.5	34.32	39.70	12.60							
46	22.5	23.5	33.53	38.91	12.60							
47	22.5	24.5	32.68	38.05	12.60							
48	22.5	25.5	31.76	37.13	12.60							
49	22.5	26.5	30.76	36.14	12.60							
50	23.5	26.5	30.76	36.14	13.60							
51	24.5	26.5	30.76	36.14	14.60							
52	25.5	26.5	30.76	36.14	15.60							
53	26.5	26.5	30.76	36.14	16.60							
54	27.5	26.5	30.76	36.14	17.60							
55	28.5	26.5	30.76	36.14	18.60							
56	29.5	26.5	30.76	36.14	19.60							
All dimensions in inches												
E: distance between the top surface of the clamp and the ground												
G: distance between the platform and the end of the bracket												
G': distance between the platform and the end of the power unit												
Z (ground clearance): distance between the ground and the lowest part of the trunion												

APPENDIX A - LIST OF INSTALLATION DIMENSIONS SORTED BY BED HEIGHT

F3CL49 HS - 4900 Lbs											
D- BED HEIGHT	E	F	G	G'	Z	Le		Q	M	N	T
						max	min				
38	15.5	22.5	34.32	39.70	5.60	34.2	29.5	8.7	59.2	45.1	10.1
	16.5	21.5	35.06	40.43	6.60						
	17.5	20.5	35.74	41.12	7.60						
	18.5	19.5	36.37	41.75	8.60						
	19.5	18.5	36.96	42.34	9.60						
All dimensions in inches											
Anteo USA suggested installation position											
E: distance between the top surface of the trunion clamp and the ground											
F: distance between bed height and top of trunion clamp											
G: distance between the platform and the end of the bracket											
G': distance between the platform and the end of the power unit											
Z (ground clearance): distance between the ground and the lowest part of the trunion											



APPENDIX A - LIST OF INSTALLATION DIMENSIONS SORTED BY BED HEIGHT

F3CL49 HS - 4900 Lbs

D- BED HEIGHT	E	F	G	G'	Z	Le		Q	M	N	T
						max	min				
39	15.5	23.5	33.53	38.91	5.60	34.2	29.5	8.7	59.2	45.1	10.1
	16.5	22.5	34.32	39.70	6.60						
	17.5	21.5	35.06	40.43	7.60						
	18.5	20.5	35.74	41.12	8.60						
	19.5	19.5	36.37	41.75	9.60						
	20.5	18.5	36.96	42.34	10.60						

All dimensions in inches

Anteo USA suggested installation position

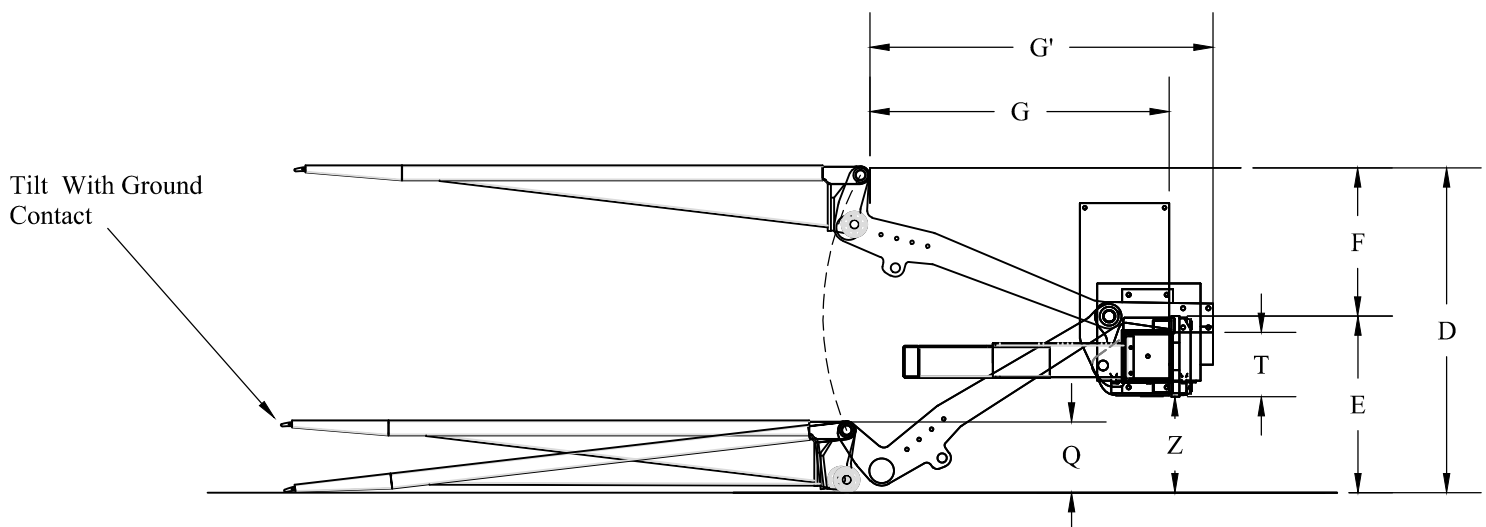
E: distance between the top surface of the trunion clamp and the ground

F: distance between bed height and top of trunion clamp

G: distance between the platform and the end of the bracket

G': distance between the platform and the end of the power unit

Z (ground clearance): distance between the ground and the lowest part of the trunion



APPENDIX A - LIST OF INSTALLATION DIMENSIONS SORTED BY BED HEIGHT

F3CL49 HS - 4900 Lbs											
D- BED HEIGHT	E	F	G	G'	Z	Le		Q	M	N	T
						max	min				
40	15.5	24.5	32.68	38.05	5.60	34.2	29.5	8.7	59.2	45.1	10.1
	16.5	23.5	33.53	38.91	6.60						
	17.5	22.5	34.32	39.70	7.60						
	18.5	21.5	35.06	40.43	8.60						
	19.5	20.5	35.74	41.12	9.60						
	20.5	19.5	36.37	41.75	10.60						
	21.5	18.5	36.96	42.34	11.60						

All dimensions in inches

Anteo USA suggested installation position

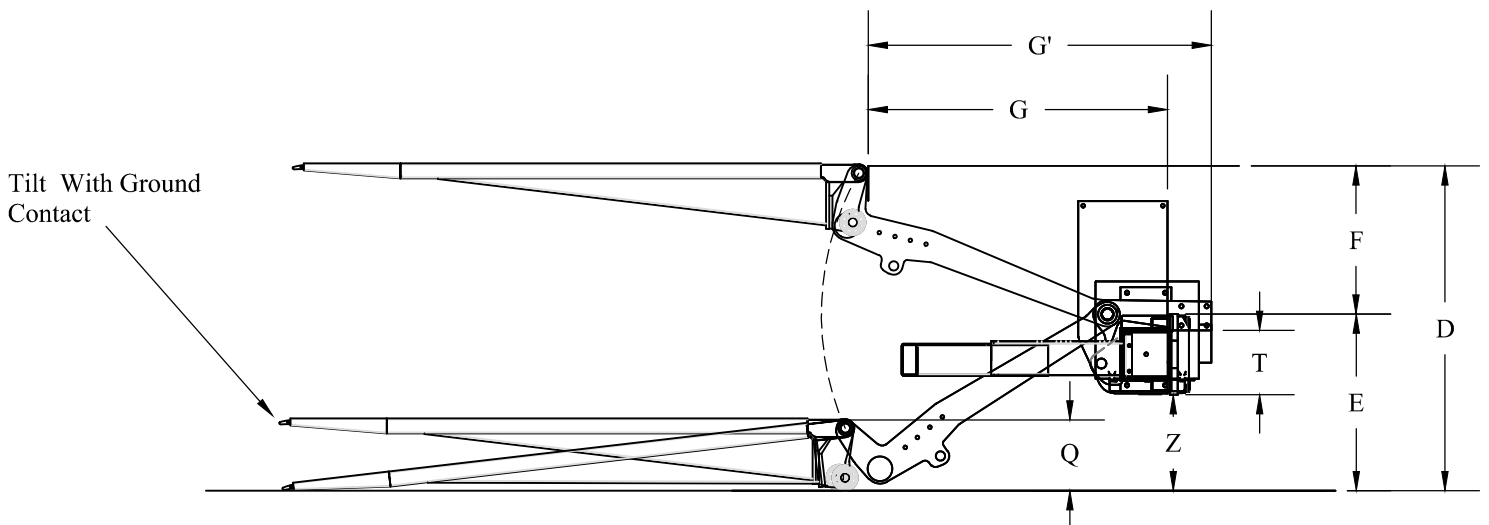
E: distance between the top surface of the trunion clamp and the ground

F: distance between bed height and top of trunion clamp

G: distance between the platform and the end of the bracket

G': distance between the platform and the end of the power unit

Z (ground clearance): distance between the ground and the lowest part of the trunion



APPENDIX A - LIST OF INSTALLATION DIMENSIONS SORTED BY BED HEIGHT

F3CL49 HS - 4900 Lbs

D- BED HEIGHT	E	F	G	G'	Z	Le		Q	M	N	T
						max	min				
41	15.5	25.5	31.76	37.13	5.60	34.2	29.5	8.7	59.2	45.1	10.1
	16.5	24.5	32.68	38.05	6.60						
	17.5	23.5	33.53	38.91	7.60						
	18.5	22.5	34.32	39.70	8.60						
	19.5	21.5	35.06	40.43	9.60						
	20.5	20.5	35.74	41.12	10.60						
	21.5	19.5	36.37	41.75	11.60						
	22.5	18.5	36.96	42.34	12.60						

All dimensions in inches

Anteo USA suggested installation position

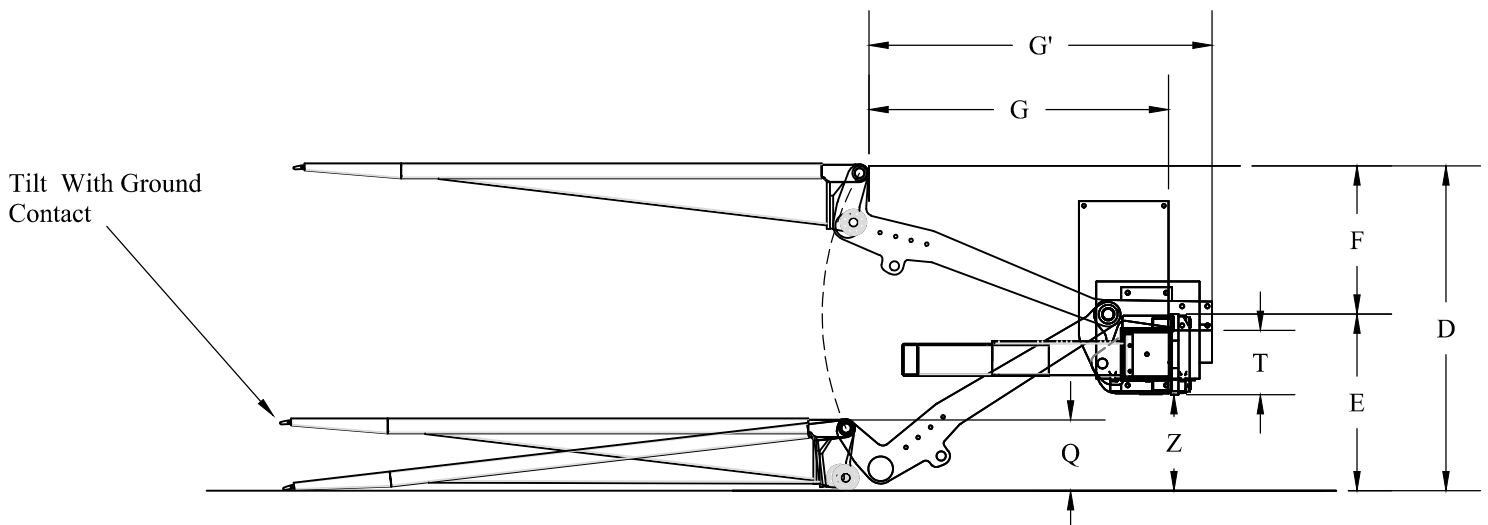
E: distance between the top surface of the trunion clamp and the ground

F: distance between bed height and top of trunion clamp

G: distance between the platform and the end of the bracket

G': distance between the platform and the end of the power unit

Z (ground clearance): distance between the ground and the lowest part of the trunion



APPENDIX A - LIST OF INSTALLATION DIMENSIONS SORTED BY BED HEIGHT

F3CL49 HS - 4900 Lbs											
D- BED HEIGHT	E	F	G	G'	Z	Le		Q	M	N	T
						max	min				
42	15.5	26.5	30.76	36.14	5.60	34.2	29.5	8.7	59.2	45.1	10.1
	16.5	25.5	31.76	37.13	6.60						
	17.5	24.5	32.68	38.05	7.60						
	18.5	23.5	33.53	38.91	8.60						
	19.5	22.5	34.32	39.70	9.60						
	20.5	21.5	35.06	40.43	10.60						
	21.5	20.5	35.74	41.12	11.60						
	22.5	19.5	36.37	41.75	12.60						
	23.5	18.5	36.96	42.34	13.60						

All dimensions in inches

Anteo USA suggested installation position

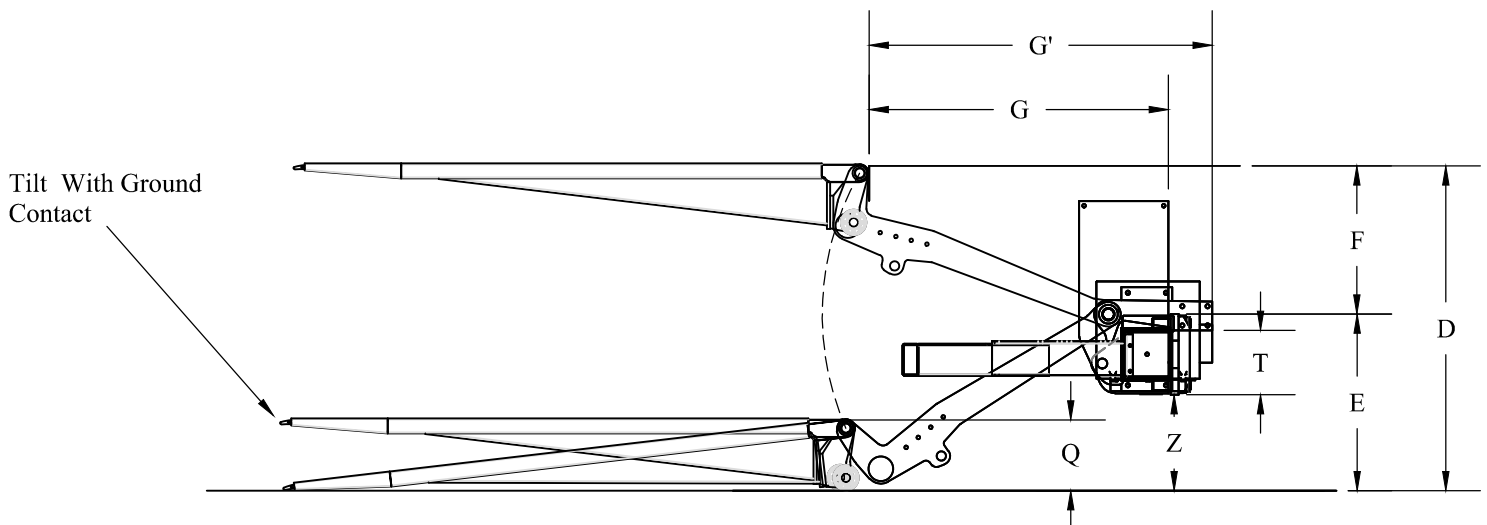
E: distance between the top surface of the trunion clamp and the ground

F: distance between bed height and top of trunion clamp

G: distance between the platform and the end of the bracket

G': distance between the platform and the end of the power unit

Z (ground clearance): distance between the ground and the lowest part of the trunion



APPENDIX A - LIST OF INSTALLATION DIMENSIONS SORTED BY BED HEIGHT

F3CL49 HS - 4900 Lbs											
D- BED HEIGHT	E	F	G	G'	Z	Le		Q	M	N	T
						max	min				
43	16.5	26.5	30.76	36.14	6.60	34.2	29.5	8.7	59.2	45.1	10.1
	17.5	25.5	31.76	37.13	7.60						
	18.5	24.5	32.68	38.05	8.60						
	19.5	23.5	33.53	38.91	9.60						
	20.5	22.5	34.32	39.70	10.60						
	21.5	21.5	35.06	40.43	11.60						
	22.5	20.5	35.74	41.12	12.60						
	23.5	19.5	36.37	41.75	13.60						
	24.5	18.5	36.96	42.34	14.60						

All dimensions in inches

Anteo USA suggested installation position

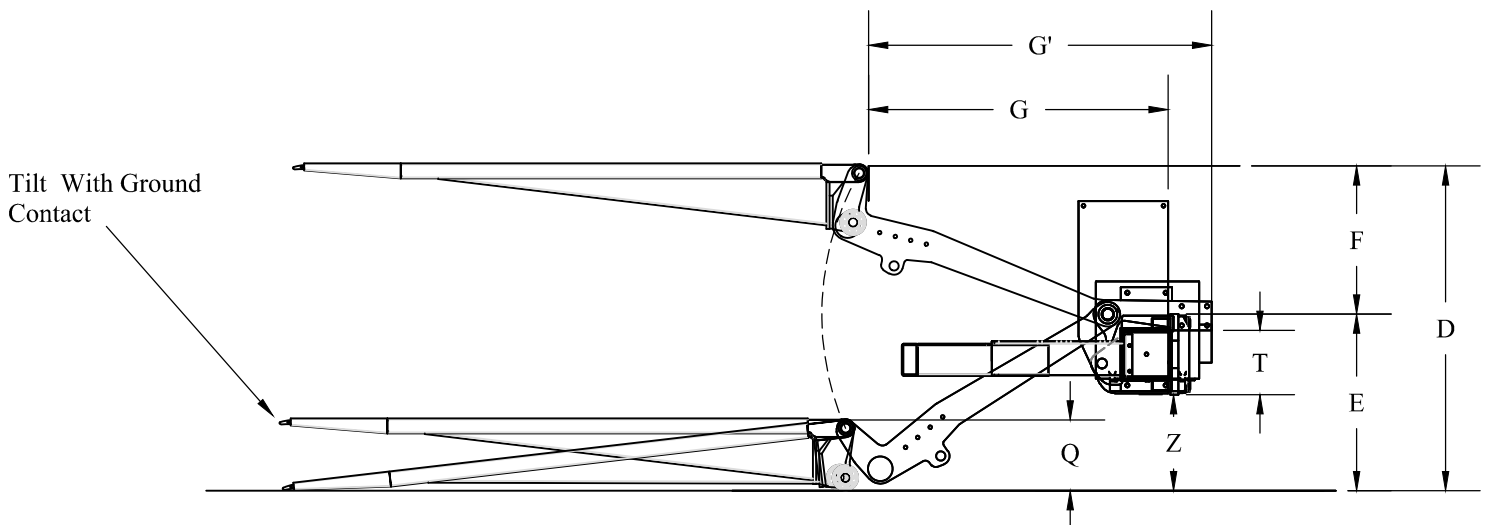
E: distance between the top surface of the trunion clamp and the ground

F: distance between bed height and top of trunion clamp

G: distance between the platform and the end of the bracket

G': distance between the platform and the end of the power unit

Z (ground clearance): distance between the ground and the lowest part of the trunion



APPENDIX A - LIST OF INSTALLATION DIMENSIONS SORTED BY BED HEIGHT

F3CL49 HS - 4900 Lbs											
D- BED HEIGHT	E	F	G	G'	Z	Le		Q	M	N	T
						max	min				
44	17.5	26.5	30.76	36.14	7.60	34.2	29.5	8.7	59.2	45.1	10.1
	18.5	25.5	31.76	37.13	8.60						
	19.5	24.5	32.68	38.05	9.60						
	20.5	23.5	33.53	38.91	10.60						
	21.5	22.5	34.32	39.70	11.60						
	22.5	21.5	35.06	40.43	12.60						
	23.5	20.5	35.74	41.12	13.60						
	24.5	19.5	36.37	41.75	14.60						
	25.5	18.5	36.96	42.34	15.60						

All dimensions in inches

Anteo USA suggested installation position

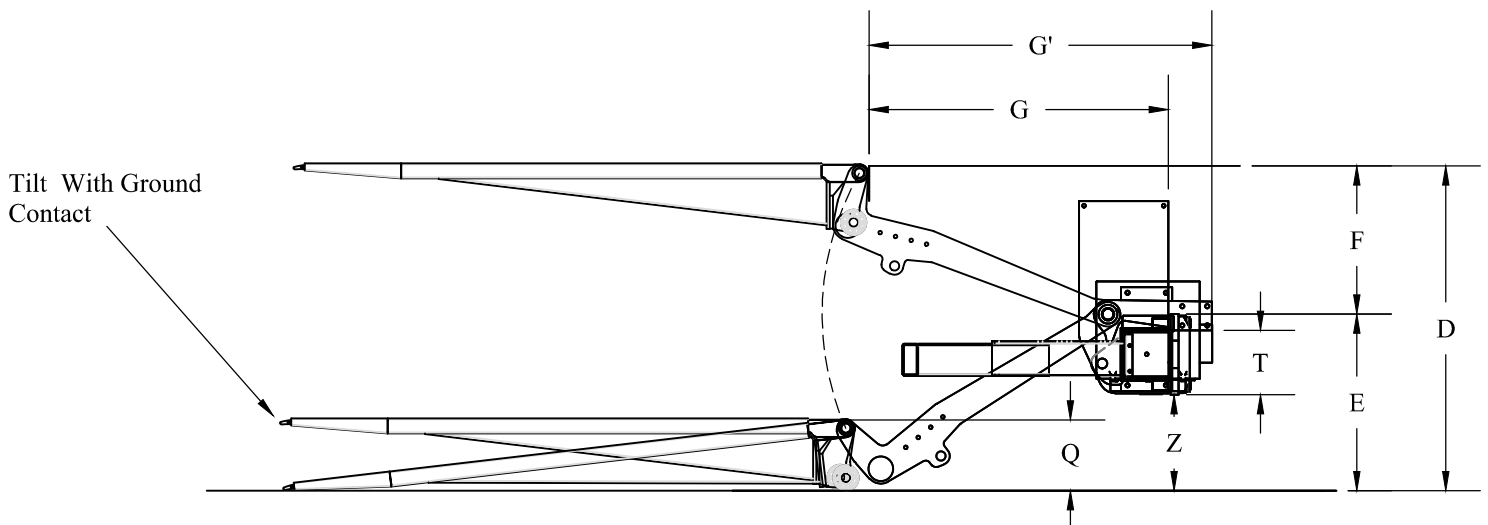
E: distance between the top surface of the trunion clamp and the ground

F: distance between bed height and top of trunion clamp

G: distance between the platform and the end of the bracket

G': distance between the platform and the end of the power unit

Z (ground clearance): distance between the ground and the lowest part of the trunion



APPENDIX A - LIST OF INSTALLATION DIMENSIONS SORTED BY BED HEIGHT

F3CL49 HS - 4900 Lbs											
D- BED HEIGHT	E	F	G	G'	Z	Le		Q	M	N	T
						max	min				
45	18.5	26.5	30.76	36.14	8.60	34.2	29.5	8.7	59.2	45.1	10.1
	19.5	25.5	31.76	37.13	9.60						
	20.5	24.5	32.68	38.05	10.60						
	21.5	23.5	33.53	38.91	11.60						
	22.5	22.5	34.32	39.70	12.60						
	23.5	21.5	35.06	40.43	13.60						
	24.5	20.5	35.74	41.12	14.60						
	25.5	19.5	36.37	41.75	15.60						
	26.5	18.5	36.96	42.34	16.60						

All dimensions in inches

Anteo USA suggested installation position

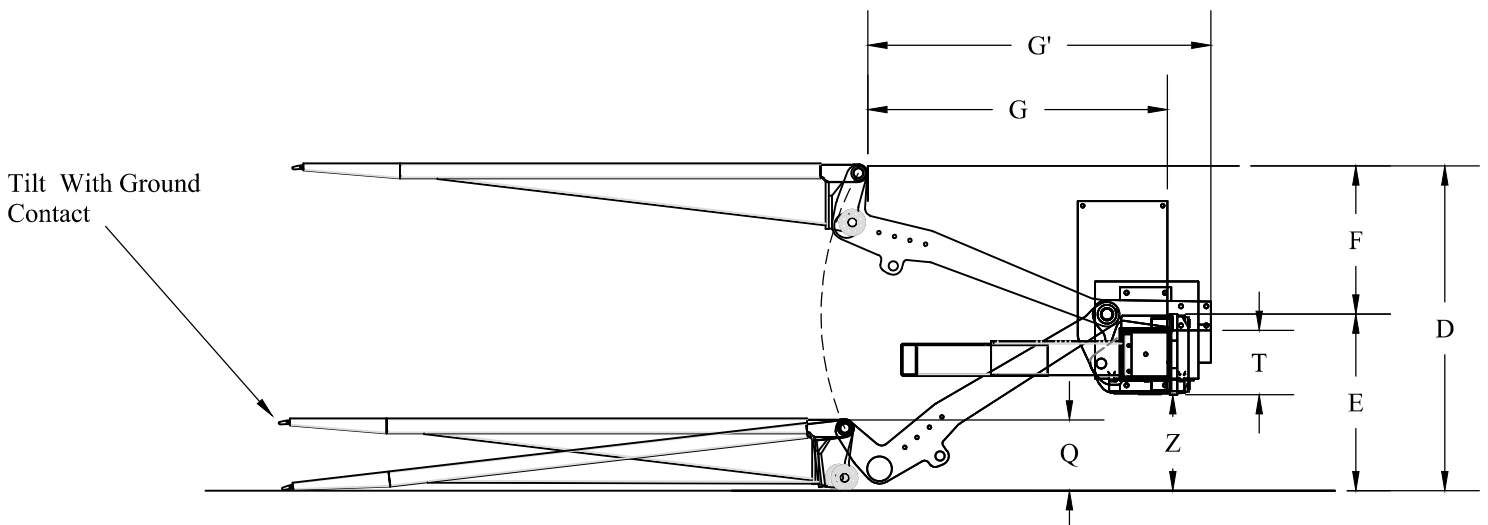
E: distance between the top surface of the trunion clamp and the ground

F: distance between bed height and top of trunion clamp

G: distance between the platform and the end of the bracket

G': distance between the platform and the end of the power unit

Z (ground clearance): distance between the ground and the lowest part of the trunion



APPENDIX A - LIST OF INSTALLATION DIMENSIONS SORTED BY BED HEIGHT

F3CL49 HS - 4900 Lbs

D- BED HEIGHT	E	F	G	G'	Z	Le		Q	M	N	T
						max	min				
46	19.5	26.5	30.76	36.14	9.60	34.2	29.5	8.7	59.2	45.1	10.1
	20.5	25.5	31.76	37.13	10.60						
	21.5	24.5	32.68	38.05	11.60						
	22.5	23.5	33.53	38.91	12.60						
	23.5	22.5	34.32	39.70	13.60						
	24.5	21.5	35.06	40.43	14.60						
	25.5	20.5	35.74	41.12	15.60						
	26.5	19.5	36.37	41.75	16.60						
	27.5	18.5	36.96	42.34	17.60						

All dimensions in inches

Anteo USA suggested installation position

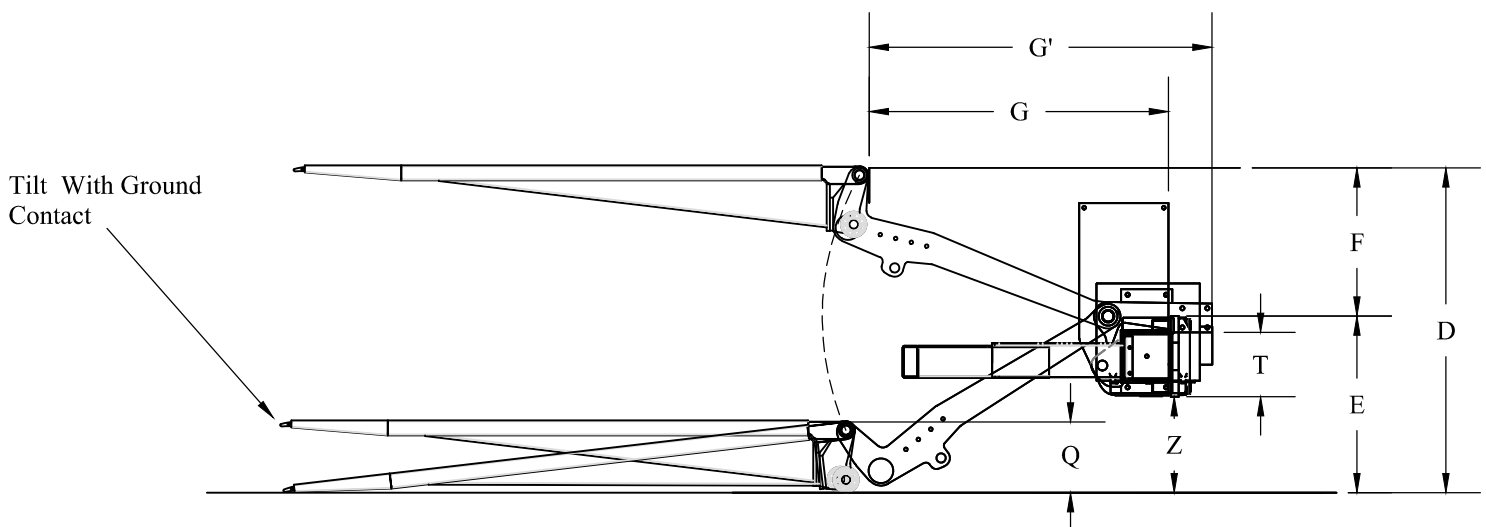
E: distance between the top surface of the trunion clamp and the ground

F: distance between bed height and top of trunion clamp

G: distance between the platform and the end of the bracket

G': distance between the platform and the end of the power unit

Z (ground clearance): distance between the ground and the lowest part of the trunion



APPENDIX A - LIST OF INSTALLATION DIMENSIONS SORTED BY BED HEIGHT

F3CL49 HS - 4900 Lbs											
D- BED HEIGHT	E	F	G	G'	Z	Le		Q	M	N	T
						max	min				
47	20.5	26.5	30.76	36.14	10.60	34.2	29.5	8.7	59.2	45.1	10.1
	21.5	25.5	31.76	37.13	11.60						
	22.5	24.5	32.68	38.05	12.60						
	23.5	23.5	33.53	38.91	13.60						
	24.5	22.5	34.32	39.70	14.60						
	25.5	21.5	35.06	40.43	15.60						
	26.5	20.5	35.74	41.12	16.60						
	27.5	19.5	36.37	41.75	17.60						
	28.5	18.5	36.96	42.34	18.60						

All dimensions in inches

Anteo USA suggested installation position

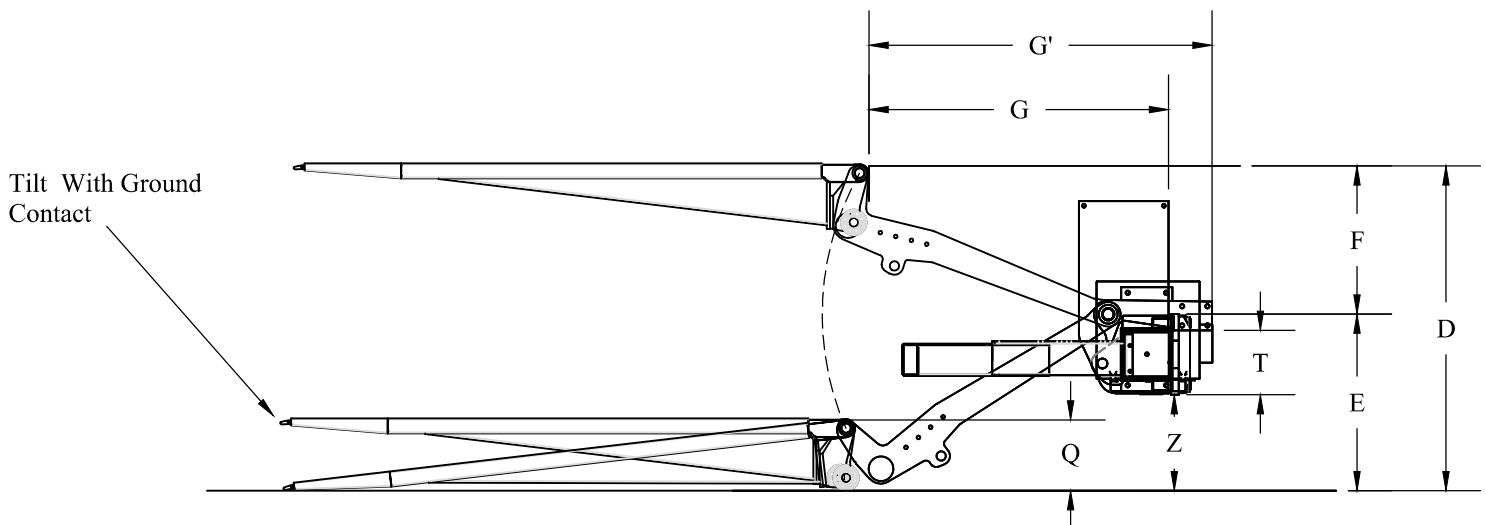
E: distance between the top surface of the trunion clamp and the ground

F: distance between bed height and top of trunion clamp

G: distance between the platform and the end of the bracket

G': distance between the platform and the end of the power unit

Z (ground clearance): distance between the ground and the lowest part of the trunion



APPENDIX A - LIST OF INSTALLATION DIMENSIONS SORTED BY BED HEIGHT

F3CL49 HS - 4900 Lbs

D- BED HEIGHT	E	F	G	G'	Z	Le		Q	M	N	T
						max	min				
48	21.5	26.5	30.76	36.14	11.60	34.2	29.5	8.7	59.2	45.1	10.1
	22.5	25.5	31.76	37.13	12.60						
	23.5	24.5	32.68	38.05	13.60						
	24.5	23.5	33.53	38.91	14.60						
	25.5	22.5	34.32	39.70	15.60						
	26.5	21.5	35.06	40.43	16.60						
	27.5	20.5	35.74	41.12	17.60						
	28.5	19.5	36.37	41.75	18.60						
	29.5	18.5	36.96	42.34	19.60						

All dimensions in inches

Anteo USA suggested installation position

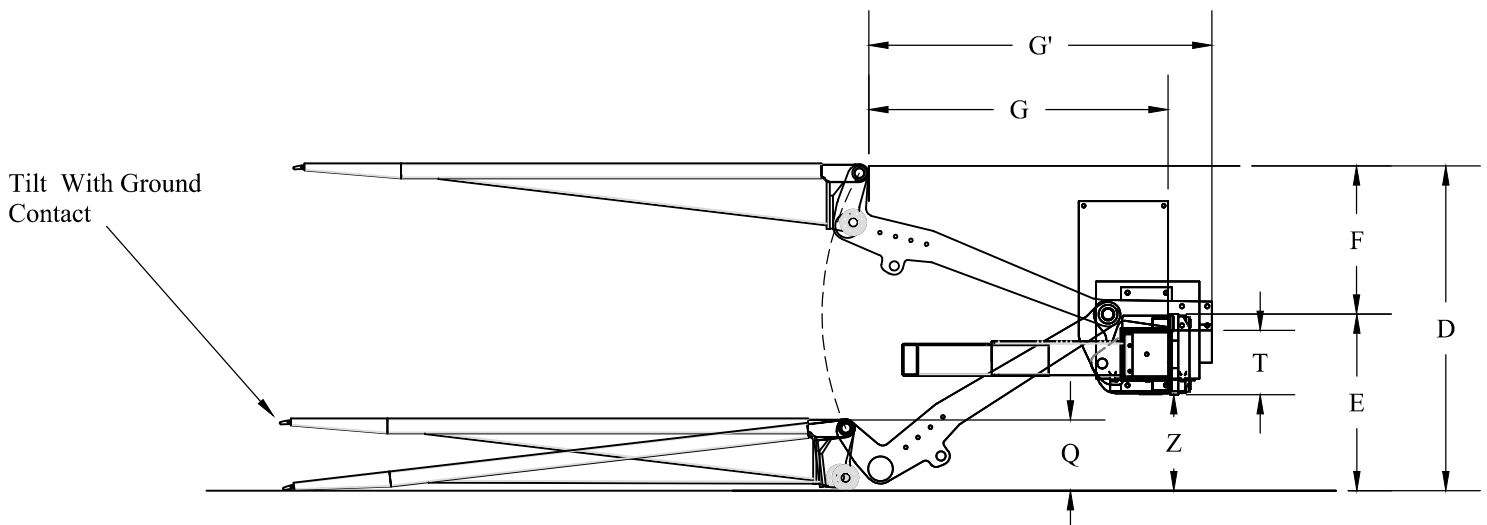
E: distance between the top surface of the trunion clamp and the ground

F: distance between bed height and top of trunion clamp

G: distance between the platform and the end of the bracket

G': distance between the platform and the end of the power unit

Z (ground clearance): distance between the ground and the lowest part of the trunion



APPENDIX A - LIST OF INSTALLATION DIMENSIONS SORTED BY BED HEIGHT

F3CL49 HS - 4900 Lbs

D- BED HEIGHT	E	F	G	G'	Z	Le		Q	M	N	T
						max	min				
49	22.5	26.5	30.76	36.14	12.60	34.2	29.5	8.7	59.2	45.1	10.1
	23.5	25.5	31.76	37.13	13.60						
	24.5	24.5	32.68	38.05	14.60						
	25.5	23.5	33.53	38.91	15.60						
	26.5	22.5	34.32	39.70	16.60						
	27.5	21.5	35.06	40.43	17.60						
	28.5	20.5	35.74	41.12	18.60						
	29.5	19.5	36.37	41.75	19.60						

All dimensions in inches

Anteo USA suggested installation position

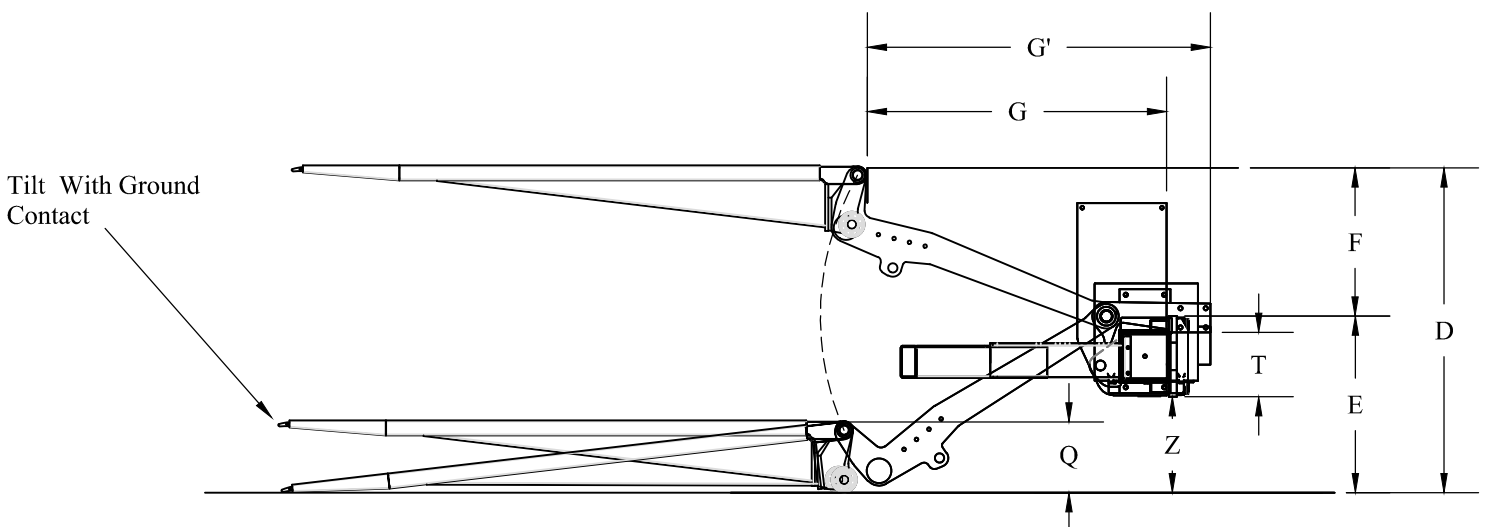
E: distance between the top surface of the trunion clamp and the ground

F: distance between bed height and top of trunion clamp

G: distance between the platform and the end of the bracket

G': distance between the platform and the end of the power unit

Z (ground clearance): distance between the ground and the lowest part of the trunion



APPENDIX A - LIST OF INSTALLATION DIMENSIONS SORTED BY BED HEIGHT

F3CL49 HS - 4900 Lbs

D- BED HEIGHT	E	F	G	G'	Z	Le		Q	M	N	T
						max	min				
50	23.5	26.5	30.76	36.14	13.60	34.2	29.5	8.7	59.2	45.1	10.1
	24.5	25.5	31.76	37.13	14.60						
	25.5	24.5	32.68	38.05	15.60						
	26.5	23.5	33.53	38.91	16.60						
	27.5	22.5	34.32	39.70	17.60						
	28.5	21.5	35.06	40.43	18.60						
	29.5	20.5	35.74	41.12	19.60						

All dimensions in inches

Anteo USA suggested installation position

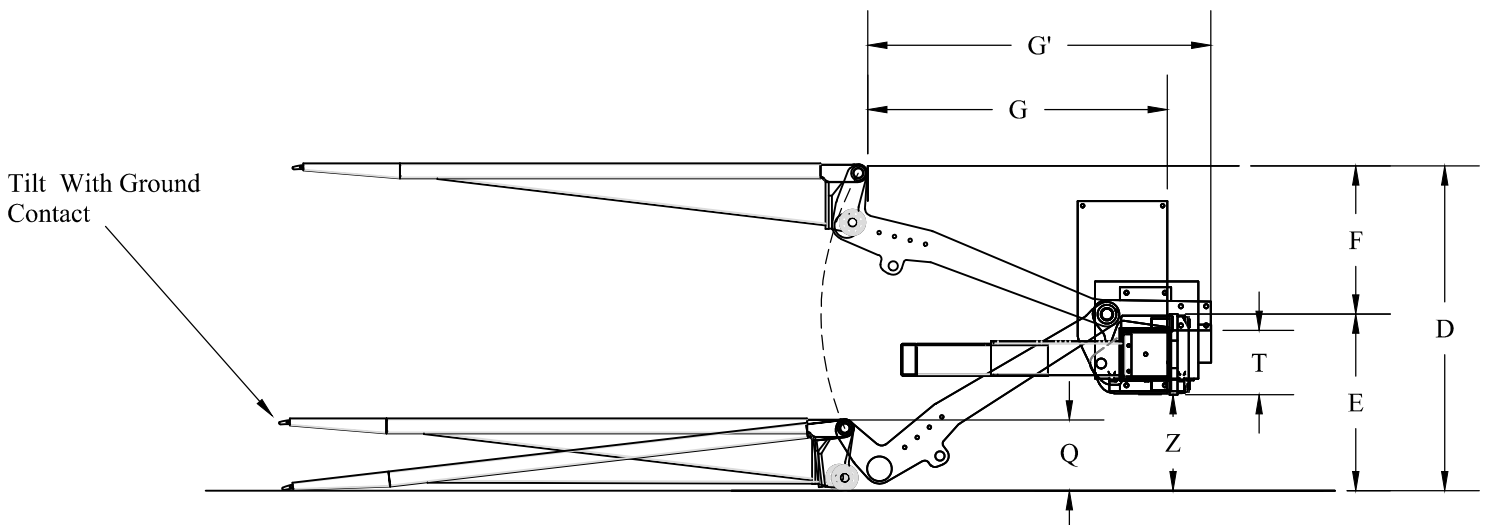
E: distance between the top surface of the trunion clamp and the ground

F: distance between bed height and top of trunion clamp

G: distance between the platform and the end of the bracket

G': distance between the platform and the end of the power unit

Z (ground clearance): distance between the ground and the lowest part of the trunion



APPENDIX A - LIST OF INSTALLATION DIMENSIONS SORTED BY BED HEIGHT

F3CL49 HS - 4900 Lbs

D- BED HEIGHT	E	F	G	G'	Z	Le		Q	M	N	T
						max	min				
51	24.5	26.5	30.76	36.14	14.60	34.2	29.5	8.7	59.2	45.1	10.1
	25.5	25.5	31.76	37.13	15.60						
	26.5	24.5	32.68	38.05	16.60						
	27.5	23.5	33.53	38.91	17.60						
	28.5	22.5	34.32	39.70	18.60						
	29.5	21.5	35.06	40.43	19.60						

All dimensions in inches

Anteo USA suggested installation position

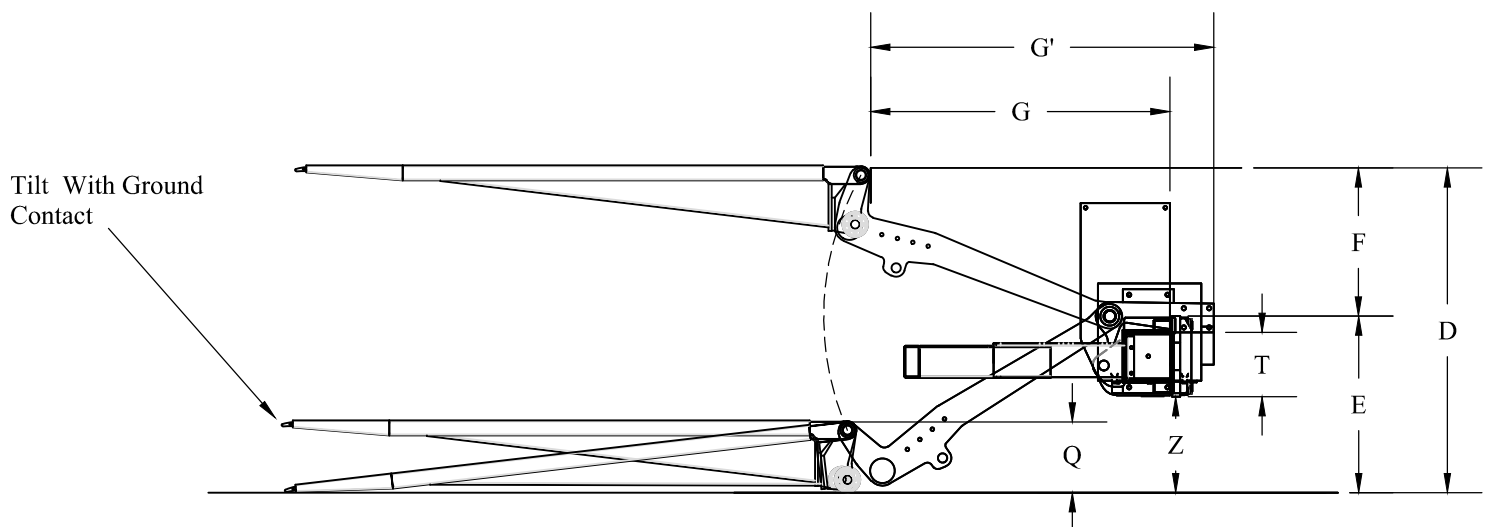
E: distance between the top surface of the trunion clamp and the ground

F: distance between bed height and top of trunion clamp

G: distance between the platform and the end of the bracket

G': distance between the platform and the end of the power unit

Z (ground clearance): distance between the ground and the lowest part of the trunion



APPENDIX A - LIST OF INSTALLATION DIMENSIONS SORTED BY BED HEIGHT

F3CL49 HS - 4900 Lbs

D- BED HEIGHT	E	F	G	G'	Z	Le		Q	M	N	T
						max	min				
52	25.5	26.5	30.76	36.14	15.60	34.2	29.5	8.7	59.2	45.1	10.1
	26.5	25.5	31.76	37.13	16.60						
	27.5	24.5	32.68	38.05	17.60						
	28.5	23.5	33.53	38.91	18.60						
	29.5	22.5	34.32	39.70	19.60						

All dimensions in inches

Anteo USA suggested installation position

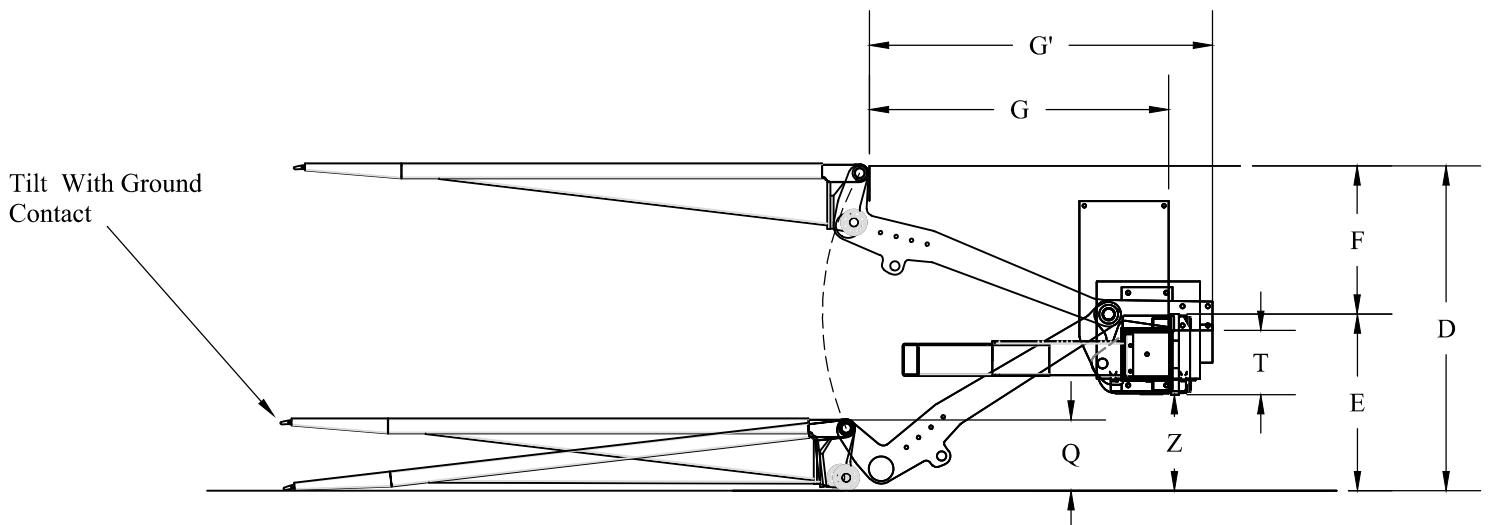
E: distance between the top surface of the trunion clamp and the ground

F: distance between bed height and top of trunion clamp

G: distance between the platform and the end of the bracket

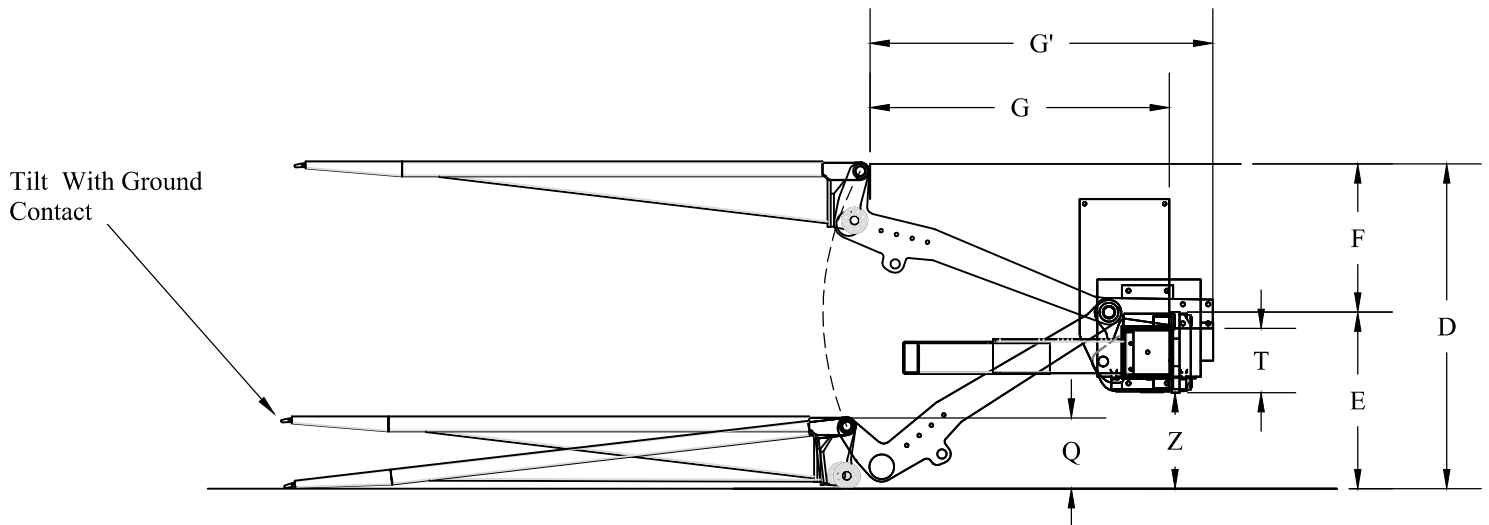
G': distance between the platform and the end of the power unit

Z (ground clearance): distance between the ground and the lowest part of the trunion



APPENDIX A - LIST OF INSTALLATION DIMENSIONS SORTED BY BED HEIGHT

F3CL49 HS - 4900 Lbs											
D- BED HEIGHT	E	F	G	G'	Z	Le		Q	M	N	T
						max	min				
53	26.5	26.5	30.76	36.14	16.60	34.2	29.5	8.7	59.2	45.1	10.1
	27.5	25.5	31.76	37.13	17.60						
	28.5	24.5	32.68	38.05	18.60						
	29.5	23.5	33.53	38.91	19.60						
All dimensions in inches											
Anteo USA suggested installation position											
E: distance between the top surface of the trunion clamp and the ground											
F: distance between bed height and top of trunion clamp											
G: distance between the platform and the end of the bracket											
G': distance between the platform and the end of the power unit											
Z (ground clearance): distance between the ground and the lowest part of the trunion											



APPENDIX A - LIST OF INSTALLATION DIMENSIONS SORTED BY BED HEIGHT

F3CL49 HS - 4900 Lbs

D- BED HEIGHT	E	F	G	G'	Z	Le		Q	M	N	T
						max	min				
54	27.5	26.5	30.76	36.14	17.60	34.2	29.5	8.7	59.2	45.1	10.1
	28.5	25.5	31.76	37.13	18.60						
	29.5	24.5	32.68	38.05	19.60						

All dimensions in inches

Anteo USA suggested installation position

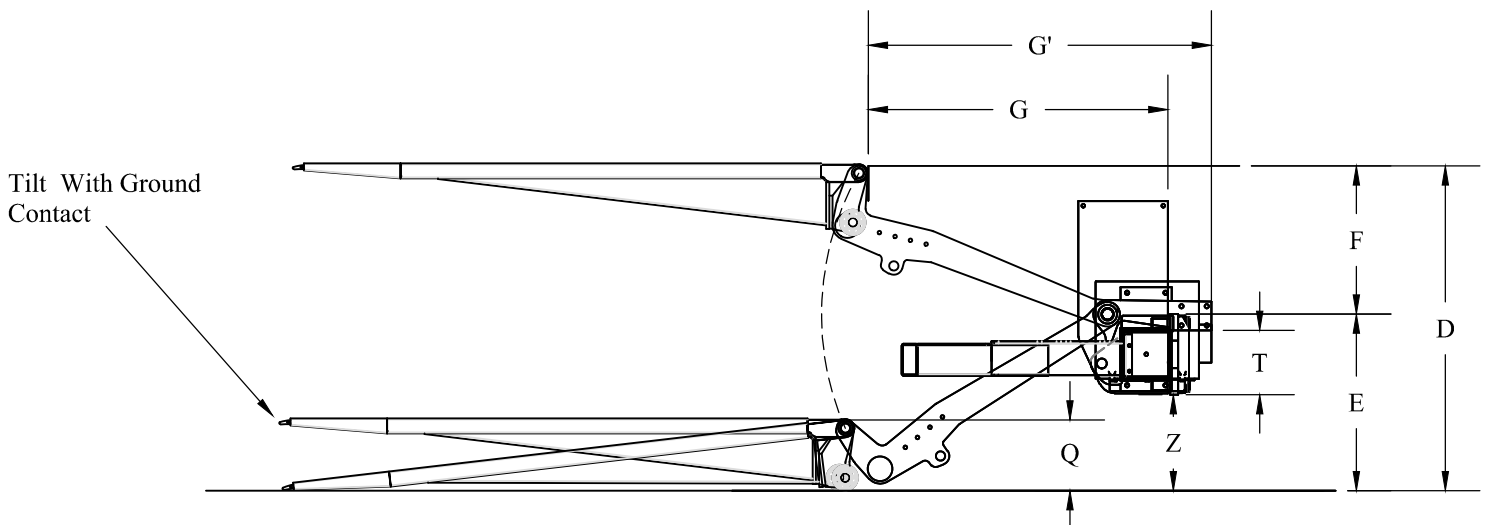
E: distance between the top surface of the trunion clamp and the ground

F: distance between bed height and top of trunion clamp

G: distance between the platform and the end of the bracket

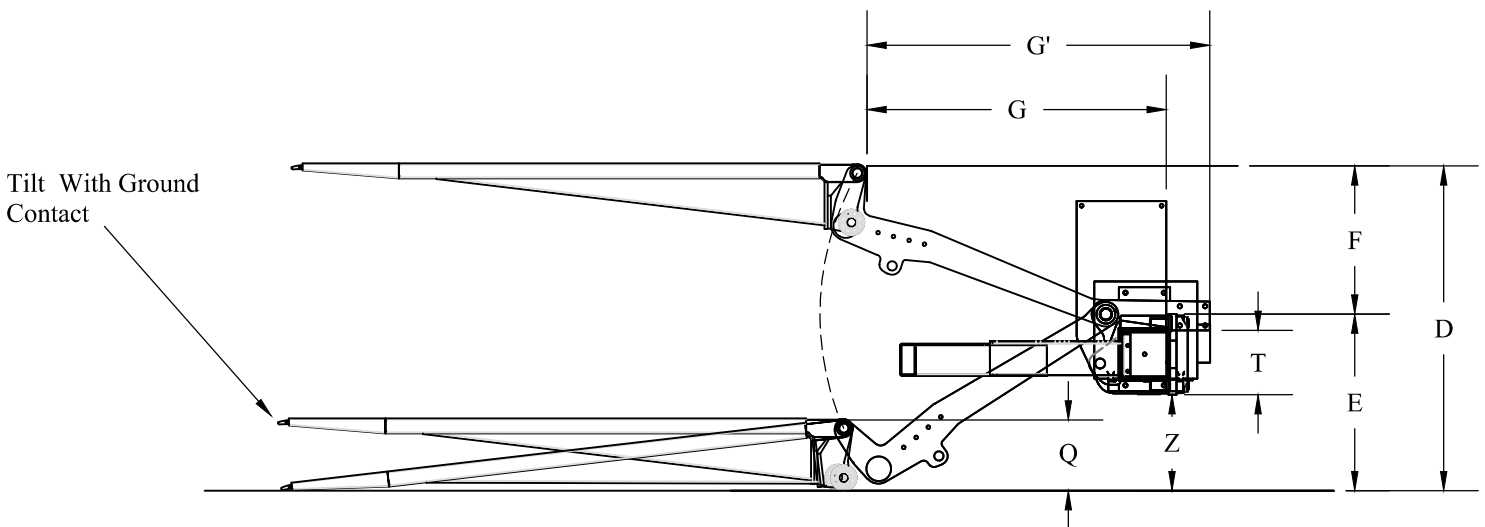
G': distance between the platform and the end of the power unit

Z (ground clearance): distance between the ground and the lowest part of the trunion



APPENDIX A - LIST OF INSTALLATION DIMENSIONS SORTED BY BED HEIGHT

F3CL49 HS - 4900 Lbs											
D- BED HEIGHT	E	F	G	G'	Z	Le		Q	M	N	T
						max	min				
55	28.5	26.5	30.76	36.14	18.60	34.2	29.5	8.7	59.2	45.1	10.1
	29.5	25.5	31.76	37.13	19.60						
All dimensions in inches											
Anteo USA suggested installation position											
E: distance between the top surface of the trunion clamp and the ground											
F: distance between bed height and top of trunion clamp											
G: distance between the platform and the end of the bracket											
G': distance between the platform and the end of the power unit											
Z (ground clearance): distance between the ground and the lowest part of the trunion											



APPENDIX A - LIST OF INSTALLATION DIMENSIONS SORTED BY BED HEIGHT

F3CL49 HS - 4900 Lbs

D- BED HEIGHT	E	F	G	G'	Z	Le		Q	M	N	T
						max	min				
56	29.5	26.5	30.76	36.14	19.60	34.2	29.5	8.7	59.2	45.1	10.1
All dimensions in inches											
Anteo USA suggested installation position											
E: distance between the top surface of the trunion clamp and the ground											
F: distance between bed height and top of trunion clamp											
G: distance between the platform and the end of the bracket											
G': distance between the platform and the end of the power unit											
Z (ground clearance): distance between the ground and the lowest part of the trunion											

