

ANTEO F3CL66 SERIES SPECIFICATIONS				
MODEL		F3CL 66EA70	F3CL 66EA78	F3CL 66EA86
PLATFORM LENGTH	in	70	78	86
PLATFORM WIDTH	in	94		
WEIGHT*	lb	1425	1460	1495
CAPACITY	lb	6600		
CURRENT DRAW	amp	205		
FULL LOAD RAISE SPEED	in/s	3		
FULL LOAD LOWER SPEED	in/s	5		
HYDRAULIC FLUID TANK CAPACITY	gal	3.7		
MOTOR RATED HORSEPOWER	hp	2.1		
MAX. RELIEF VALVE SETTING	psi	3190		
*Includes bumper				

LOAD CAPACITY AT DISTANCE (X) FROM THE EDGE OF PLATFORM (inches)									
(X)		0"--24"	30"	35"	40"	45"	50"	55"	60"
F3CL66	LOAD CAPACITY (lbs)	6600	5280	4400	3960	3630	3190	2860	2640

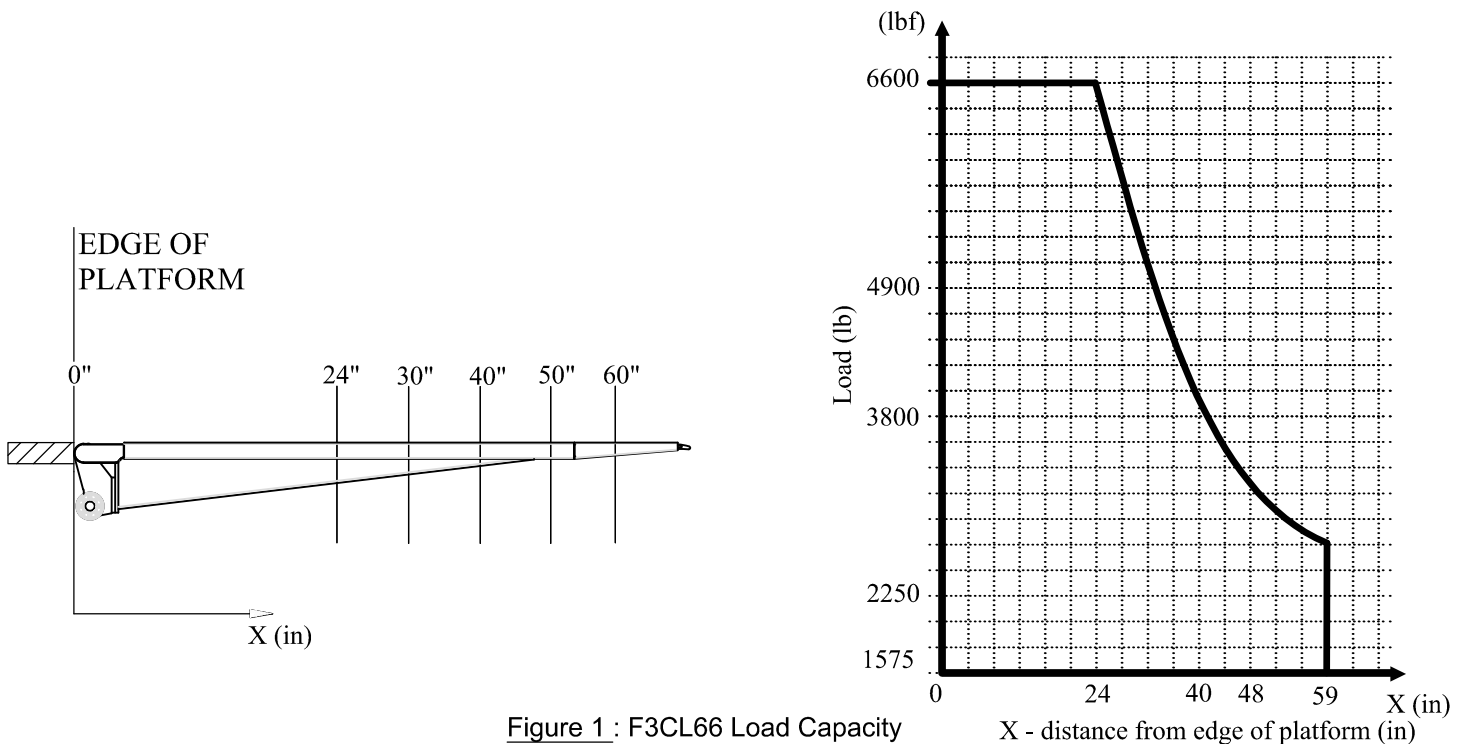


Figure 1 : F3CL66 Load Capacity

X - distance from edge of platform (in)

Table 1: Platform Options.

F3CL66 HS					
Model	Platform Length (B)	Taper	Minimum Bed Height (D)	Maximum Bed Height	Gate Weight*
F3CL 66 EA70	70"	0"	46"	60"	1425 Lbs
F3CL 66 EA78	78"				1460 Lbs
F3CL 66 EA86	86"				1495 Lbs

\*Includes bumper.

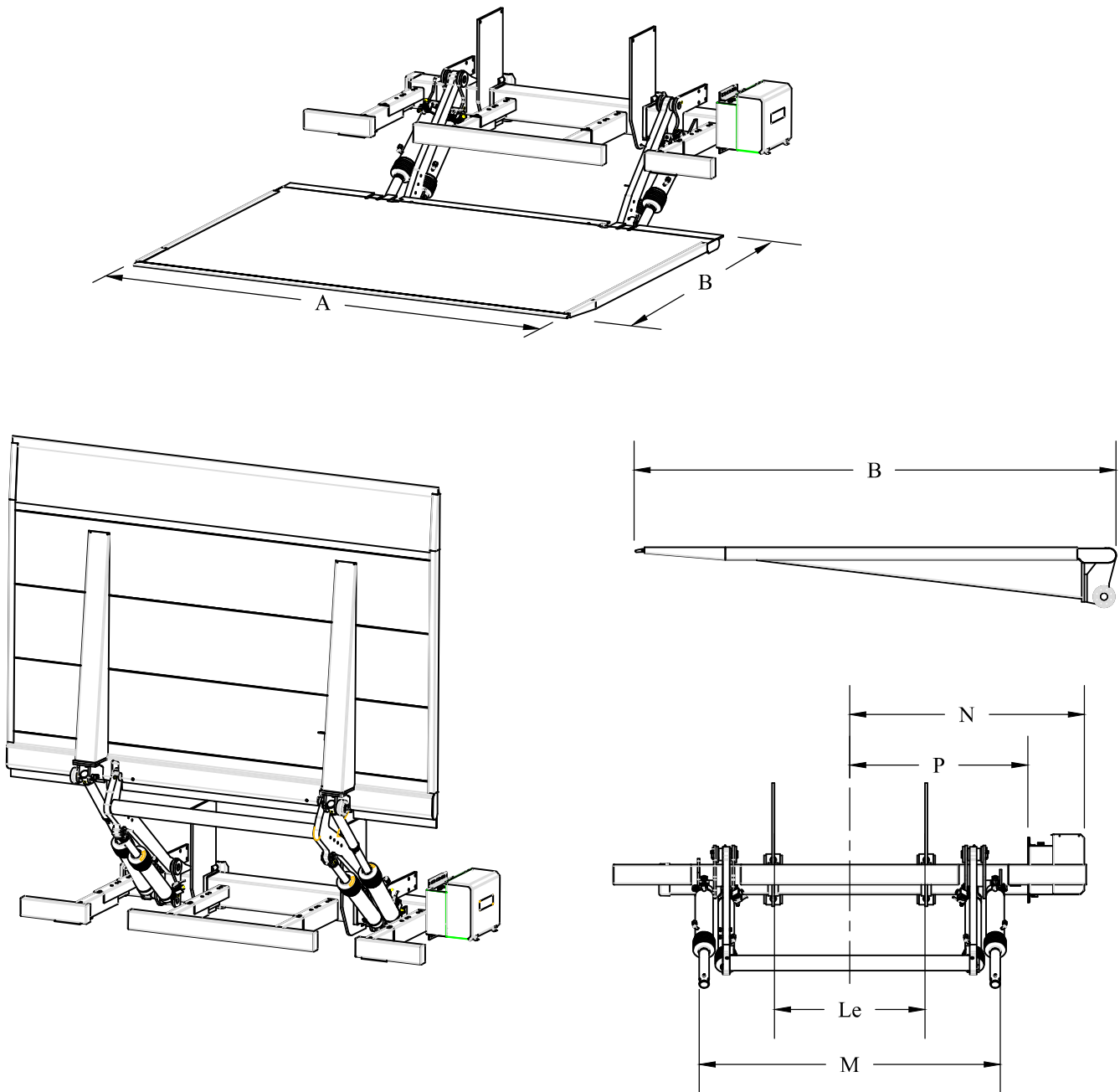


Figure 2 : For Use With Table 2 And Appendix A

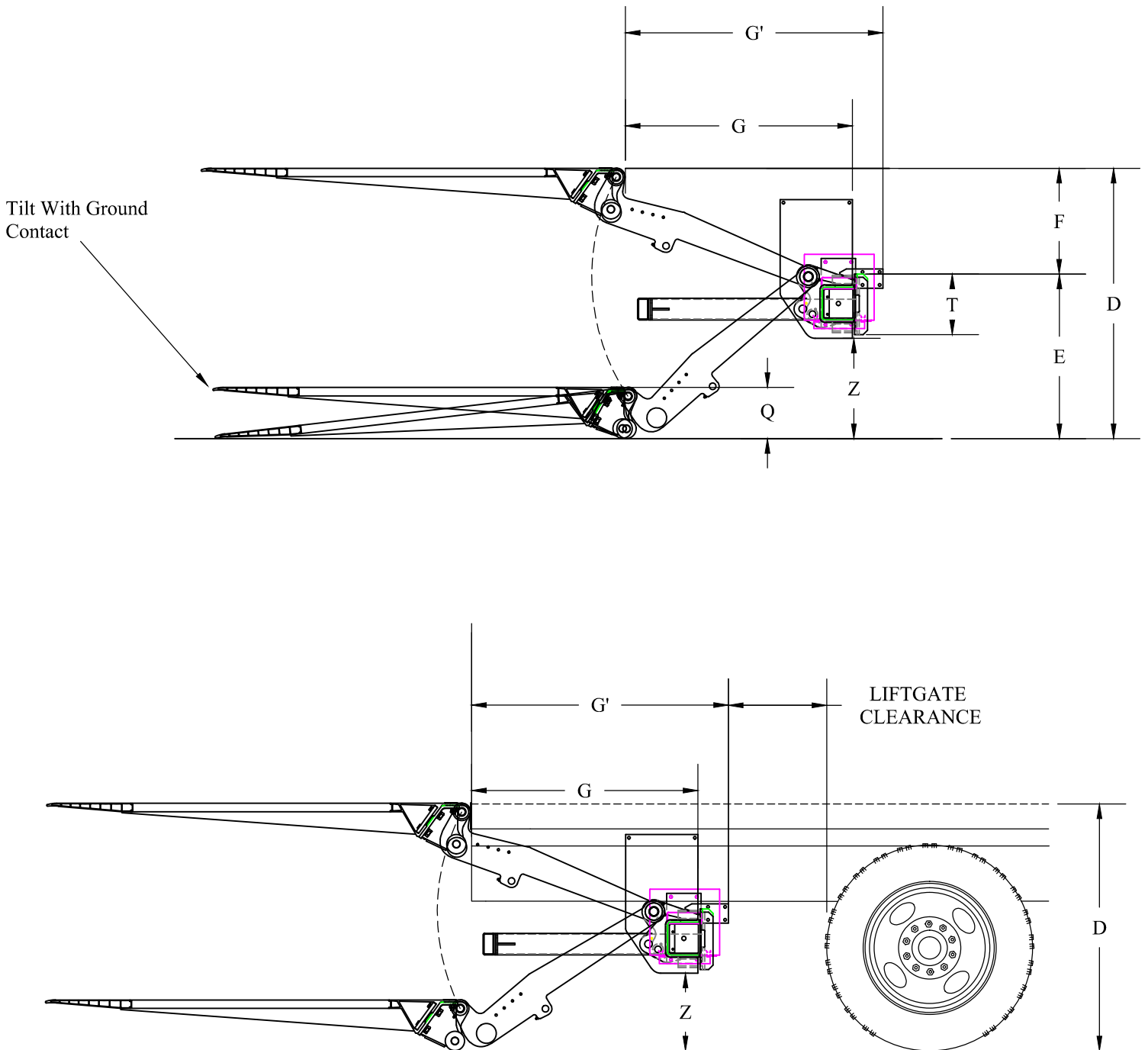


Figure 3 : For Use With **Table 2** And **Appendix A**

# F3CL66

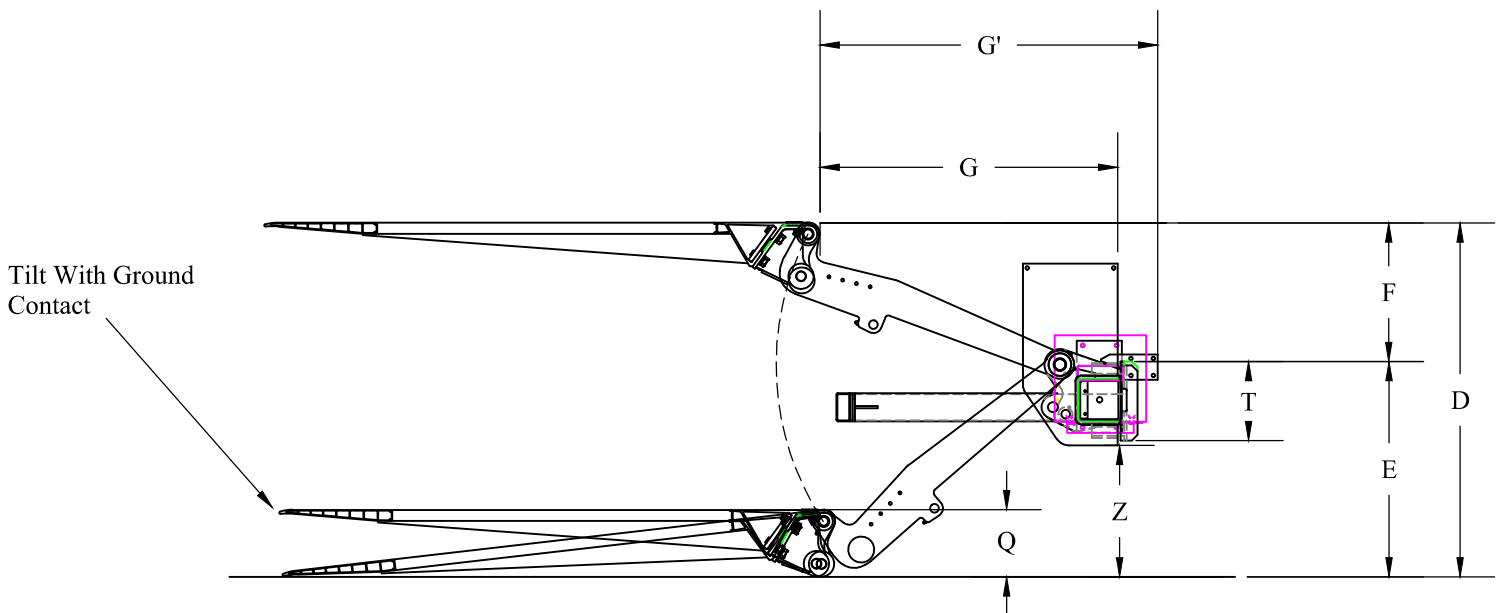
The following table presents Anteo USA suggestion for installation dimensions, using a combination of minimal ground clearance (Z) and maximum liftgate to truck axle clearance. For the complete list of dimensions sorted by BED HEIGHT (D) check the APPENDIX A.

**Table 2: Suggested Installation Dimensions.**

<b>F3CL66 HS - 6600 Lbs</b>												
<b>D- BED HEIGHT (LOADED)</b>	E	F	G	G'	Z	Le		P	Q	M	N	T
						max	min				min	
<b>46</b>	26.0	20.0	41.01	46.58	14.25	34.2	29.5	34.1	9.2	61.8	45.6	11.4
<b>47</b>	26.0	21.0	40.45	46.02	14.25							
<b>48</b>	26.0	22.0	39.84	45.41	14.25							
<b>49</b>	26.0	23.0	39.20	44.77	14.25							
<b>50</b>	26.0	24.0	38.51	44.08	14.25							
<b>51</b>	26.0	25.0	37.77	43.34	14.25							
<b>52</b>	26.0	26.0	36.98	36.98	14.25							
<b>53</b>	26.0	27.0	36.14	36.14	14.25							
<b>54</b>	26.0	28.0	35.24	40.81	14.25							
<b>55</b>	26.0	29.0	34.28	39.85	14.25							
<b>56</b>	26.0	30.0	33.24	38.81	14.25							
<b>57</b>	26.5	30.5	32.69	38.26	14.75							
<b>58</b>	27.5	30.5	32.69	38.26	15.75							
<b>59</b>	28.5	30.5	32.69	38.26	16.75							
<b>60</b>	29.5	30.5	32.69	38.26	17.75							
<b>All dimensions in inches</b>												
<b>E: distance between the top surface of the clamp and the ground</b>												
<b>G: distance between the platform and the end of the bracket</b>												
<b>G': distance between the platform and the end of the power unit</b>												
<b>Z (ground clearance): distance between the ground and the lowest part of the trunion</b>												

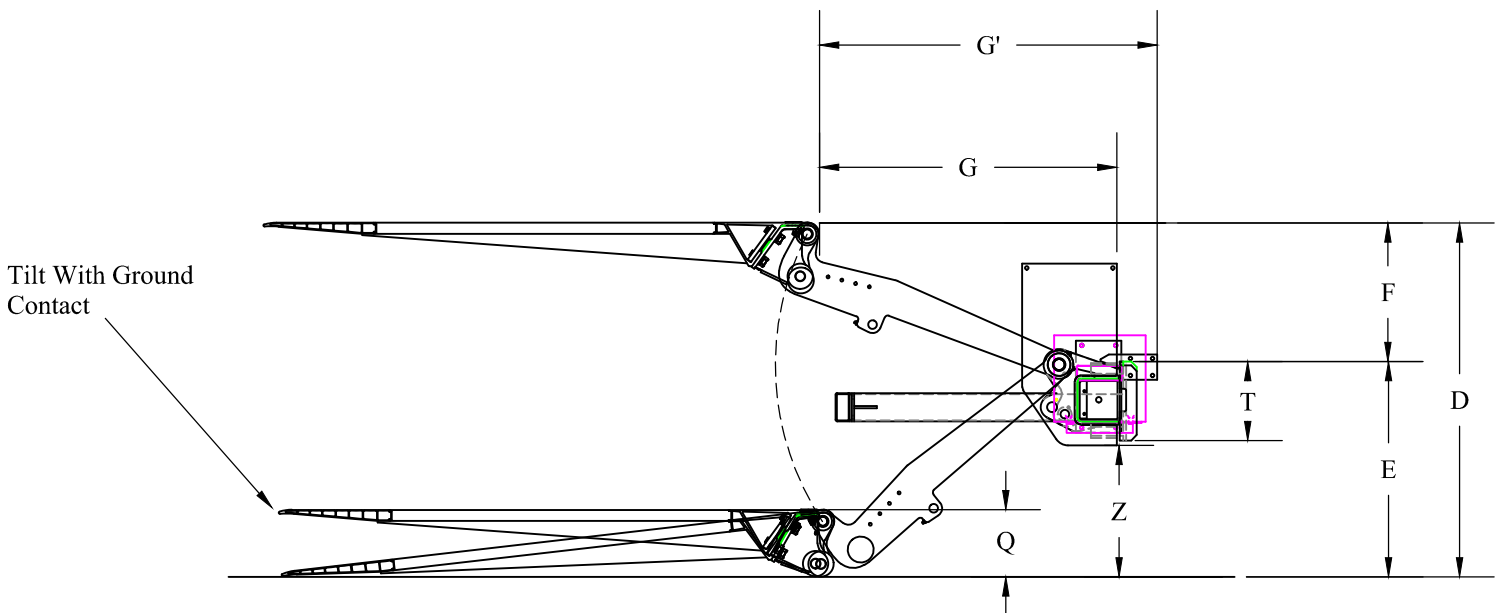
# APPENDIX A - LIST OF INSTALLATION DIMENSIONS SORTED BY BED HEIGHT

F3CL66 HS - 6600 Lbs											
D- BED HEIGHT	E	F	G	G'	Z	Le		Q	M	N	T
						max	min				
46	26.0	20.0	41.01	46.58	14.25	34.2	29.5	9.2	61.8	45.6	11.4
All dimensions in inches											
Anteo USA suggested installation position											
E: distance between the top surface of the trunion clamp and the ground											
F: distance between bed height and top of trunion clamp											
G: distance between the platform and the end of the bracket											
G': distance between the platform and the end of the power unit											
Z (ground clearance): distance between the ground and the lowest part of the trunion											



# APPENDIX A - LIST OF INSTALLATION DIMENSIONS SORTED BY BED HEIGHT

F3CL66 HS - 6600 Lbs											
D- BED HEIGHT	E	F	G	G'	Z	Le		Q	M	N	T
						max	min				
47	26.0	21.0	40.45	46.02	14.25	34.2	29.5	9.2	61.8	45.6	11.4
	27.0	20.0	41.01	46.58	15.25						
<b>All dimensions in inches</b>											
<b>Anteo USA suggested installation position</b>											
<b>E: distance between the top surface of the trunion clamp and the ground</b>											
<b>F: distance between bed height and top of trunion clamp</b>											
<b>G: distance between the platform and the end of the bracket</b>											
<b>G': distance between the platform and the end of the power unit</b>											
<b>Z (ground clearance): distance between the ground and the lowest part of the trunion</b>											



# APPENDIX A - LIST OF INSTALLATION DIMENSIONS SORTED BY BED HEIGHT

F3CL66 HS - 6600 Lbs											
D- BED HEIGHT	E	F	G	G'	Z	Le		Q	M	N	T
						max	min				
48	26.0	22.0	39.84	45.41	14.25	34.2	29.5	9.2	61.8	45.6	11.4
	27.0	21.0	40.45	46.02	15.25						
	28.0	20.0	41.01	46.58	16.25						

All dimensions in inches

Anteo USA suggested installation position

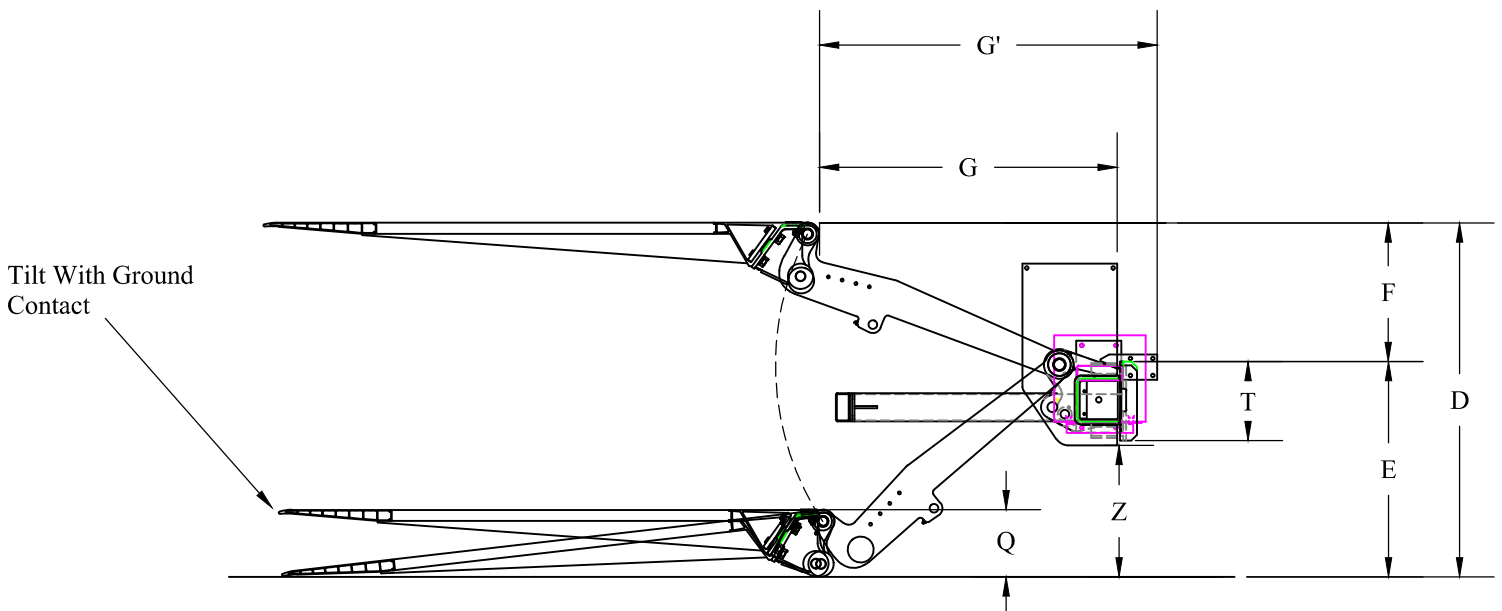
E: distance between the top surface of the trunion clamp and the ground

F: distance between bed height and top of trunion clamp

G: distance between the platform and the end of the bracket

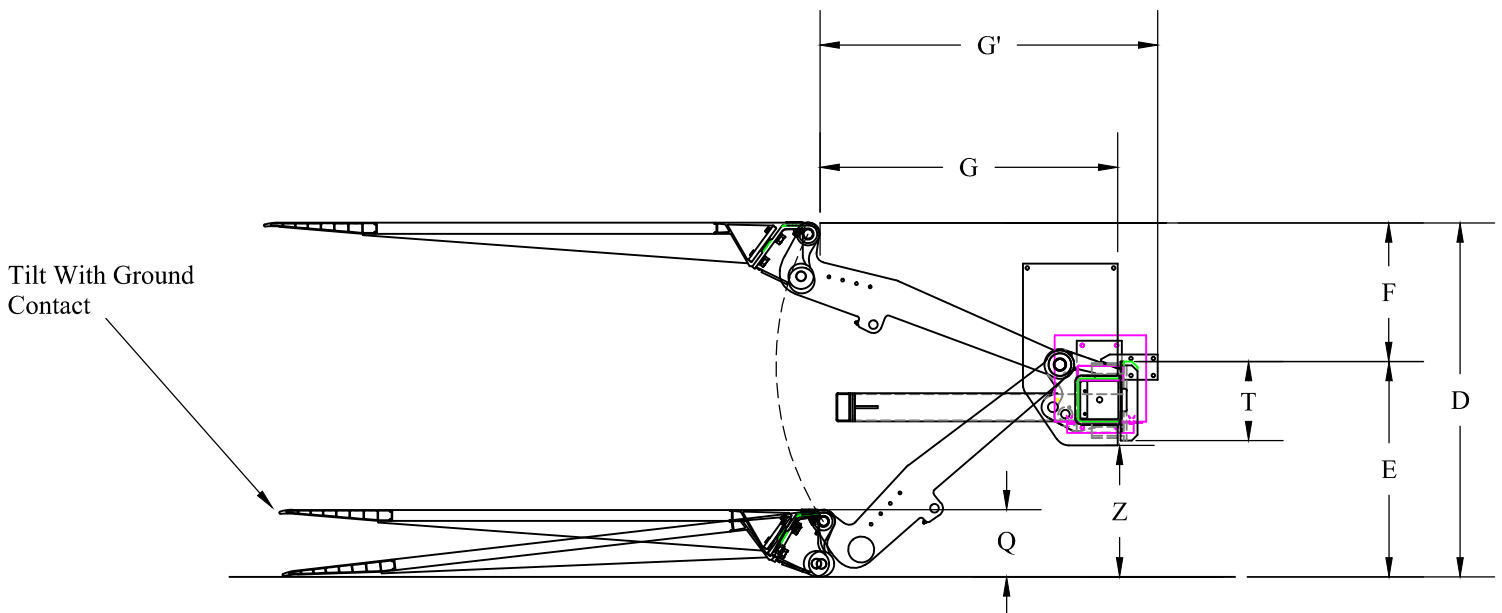
G': distance between the platform and the end of the power unit

Z (ground clearance): distance between the ground and the lowest part of the trunion



# APPENDIX A - LIST OF INSTALLATION DIMENSIONS SORTED BY BED HEIGHT

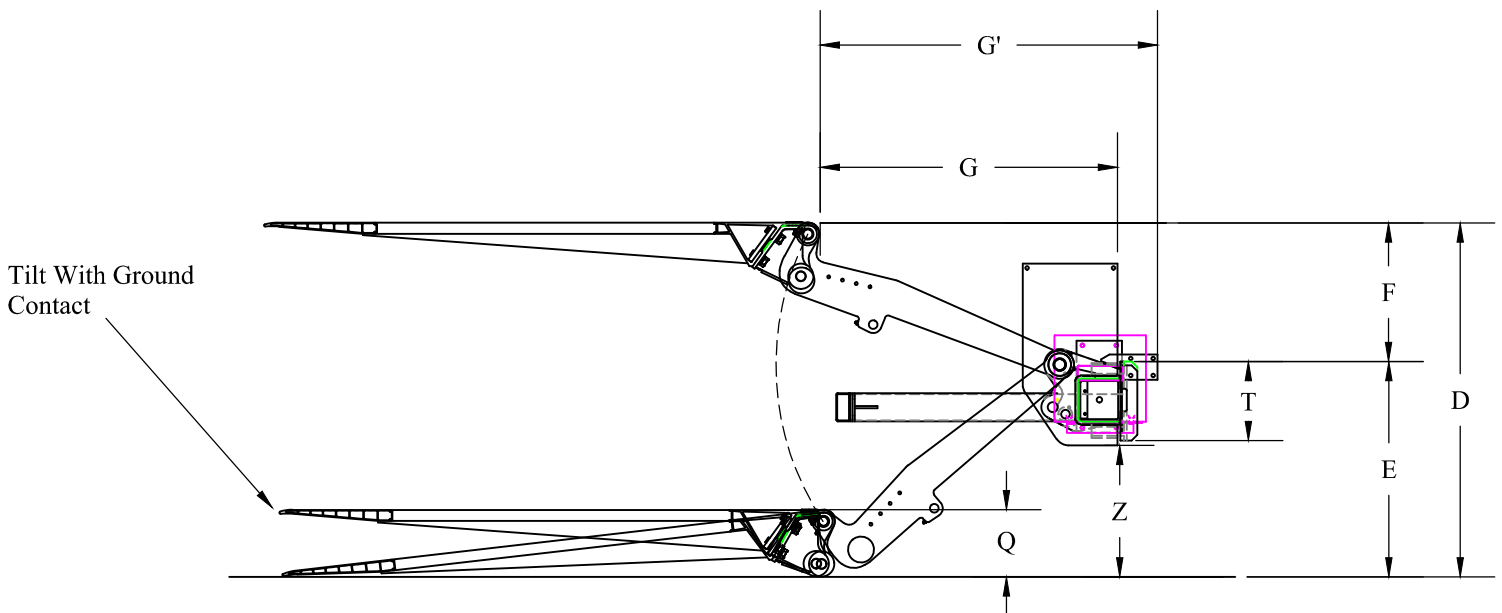
F3CL66 HS - 6600 Lbs											
D- BED HEIGHT	E	F	G	G'	Z	Le		Q	M	N	T
						max	min				
49	26.0	23.0	39.20	44.77	14.25	34.2	29.5	9.2	61.8	45.6	11.4
	27.0	22.0	39.84	45.41	15.25						
	28.0	21.0	40.45	46.02	16.25						
	29.0	20.0	41.01	46.58	17.25						
<b>All dimensions in inches</b>											
<b>Anteo USA suggested installation position</b>											
<b>E: distance between the top surface of the trunion clamp and the ground</b>											
<b>F: distance between bed height and top of trunion clamp</b>											
<b>G: distance between the platform and the end of the bracket</b>											
<b>G': distance between the platform and the end of the power unit</b>											
<b>Z (ground clearance): distance between the ground and the lowest part of the trunion</b>											





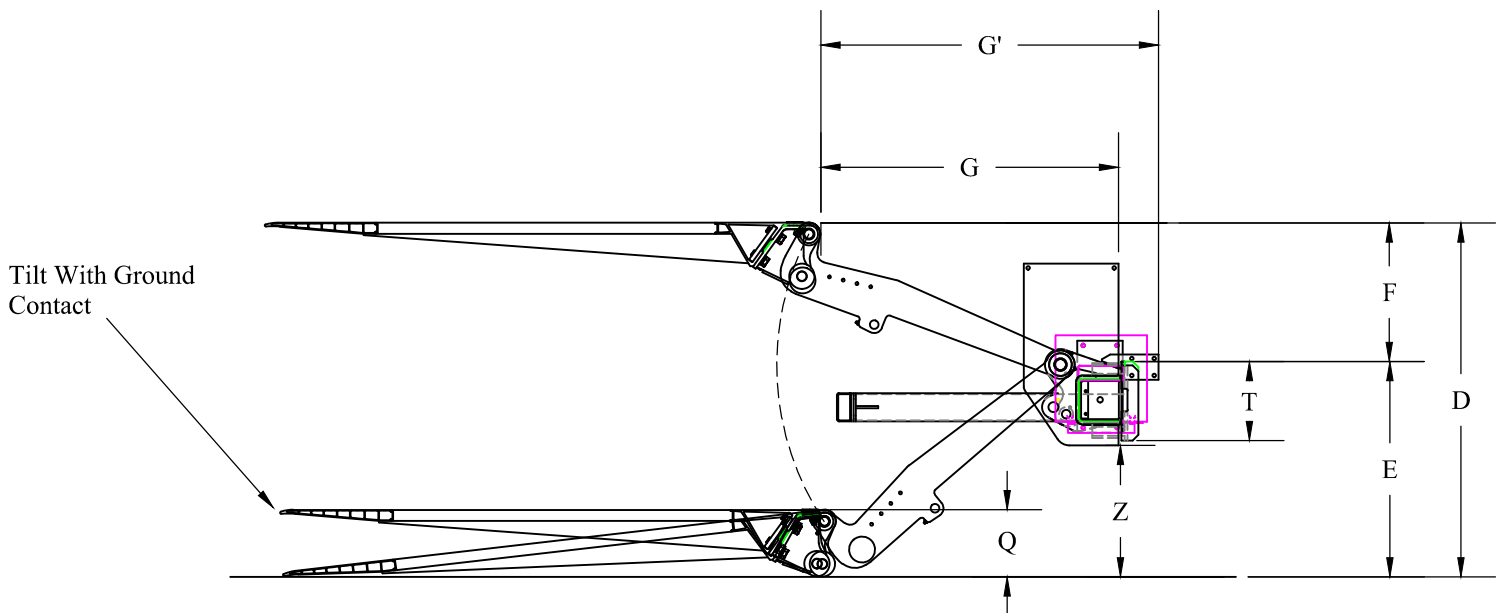
# APPENDIX A - LIST OF INSTALLATION DIMENSIONS SORTED BY BED HEIGHT

F3CL66 HS - 6600 Lbs											
D- BED HEIGHT	E	F	G	G'	Z	Le		Q	M	N	T
						max	min				
50	26.0	24.0	38.51	44.08	14.25	34.2	29.5	9.2	61.8	45.6	11.4
	27.0	23.0	39.20	44.77	15.25						
	28.0	22.0	39.84	45.41	16.25						
	29.0	21.0	40.45	46.02	17.25						
	29.5	20.5	40.73	46.30	17.75						
All dimensions in inches											
Anteo USA suggested installation position											
E: distance between the top surface of the trunion clamp and the ground											
F: distance between bed height and top of trunion clamp											
G: distance between the platform and the end of the bracket											
G': distance between the platform and the end of the power unit											
Z (ground clearance): distance between the ground and the lowest part of the trunion											



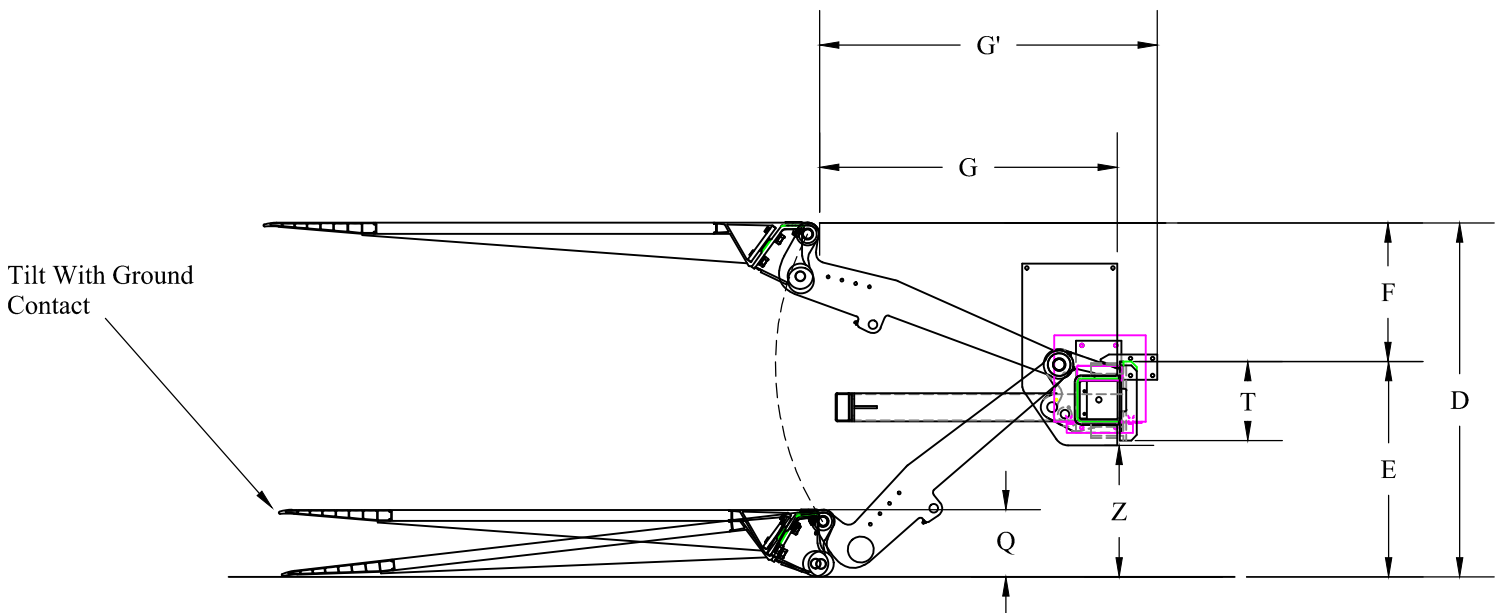
# APPENDIX A - LIST OF INSTALLATION DIMENSIONS SORTED BY BED HEIGHT

F3CL66 HS - 6600 Lbs											
D- BED HEIGHT	E	F	G	G'	Z	Le		Q	M	N	T
						max	min				
51	26.0	25.0	37.77	43.34	14.25	34.2	29.5	9.2	61.8	45.6	11.4
	27.0	24.0	38.51	44.08	15.25						
	28.0	23.0	39.20	44.77	16.25						
	29.0	22.0	39.84	45.41	17.25						
	29.5	21.5	40.15	45.72	17.75						
<b>All dimensions in inches</b>											
<b>Anteo USA suggested installation position</b>											
<b>E: distance between the top surface of the trunion clamp and the ground</b>											
<b>F: distance between bed height and top of trunion clamp</b>											
<b>G: distance between the platform and the end of the bracket</b>											
<b>G': distance between the platform and the end of the power unit</b>											
<b>Z (ground clearance): distance between the ground and the lowest part of the trunion</b>											



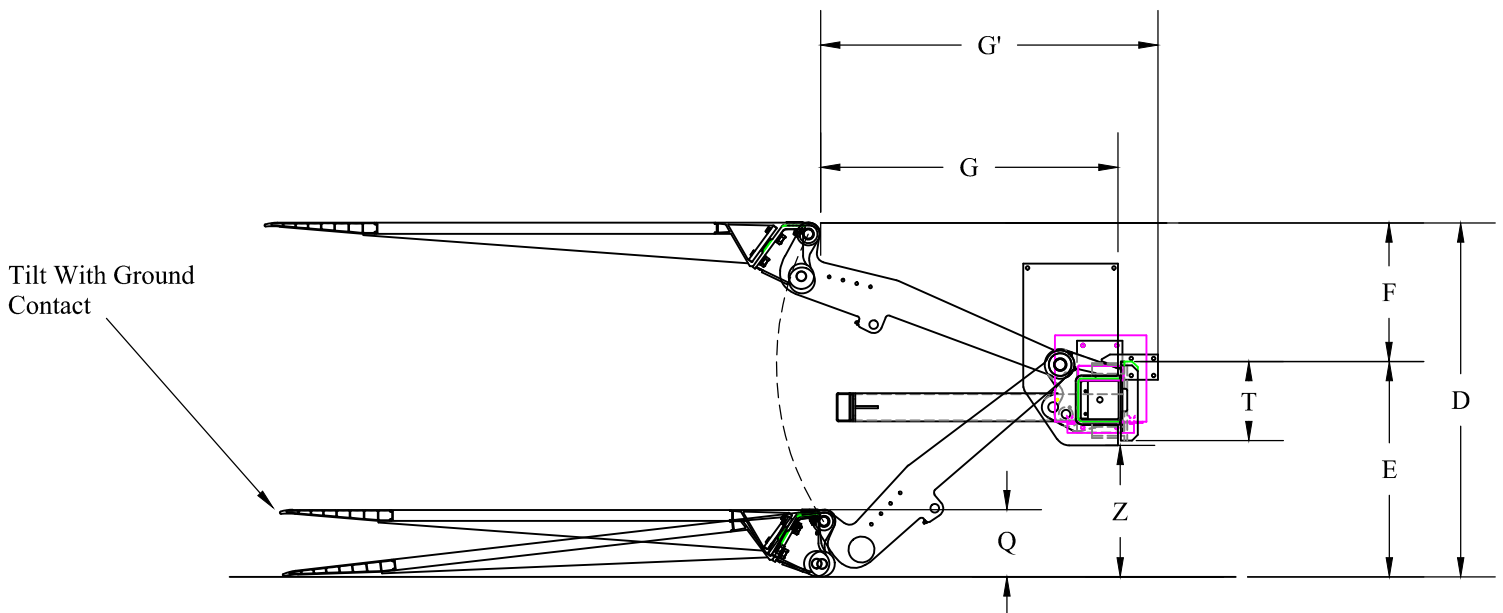
# APPENDIX A - LIST OF INSTALLATION DIMENSIONS SORTED BY BED HEIGHT

F3CL66 HS - 6600 Lbs											
D- BED HEIGHT	E	F	G	G'	Z	Le		Q	M	N	T
						max	min				
52	26.0	26.0	36.98	42.55	14.25	34.2	29.5	9.2	61.8	45.6	11.4
	27.0	25.0	37.77	43.34	15.25						
	28.0	24.0	38.51	44.08	16.25						
	29.0	23.0	39.20	44.77	17.25						
	29.5	22.5	39.53	45.10	17.75						
<b>All dimensions in inches</b>											
<b>Anteo USA suggested installation position</b>											
<b>E: distance between the top surface of the trunion clamp and the ground</b>											
<b>F: distance between bed height and top of trunion clamp</b>											
<b>G: distance between the platform and the end of the bracket</b>											
<b>G': distance between the platform and the end of the power unit</b>											
<b>Z (ground clearance): distance between the ground and the lowest part of the trunion</b>											



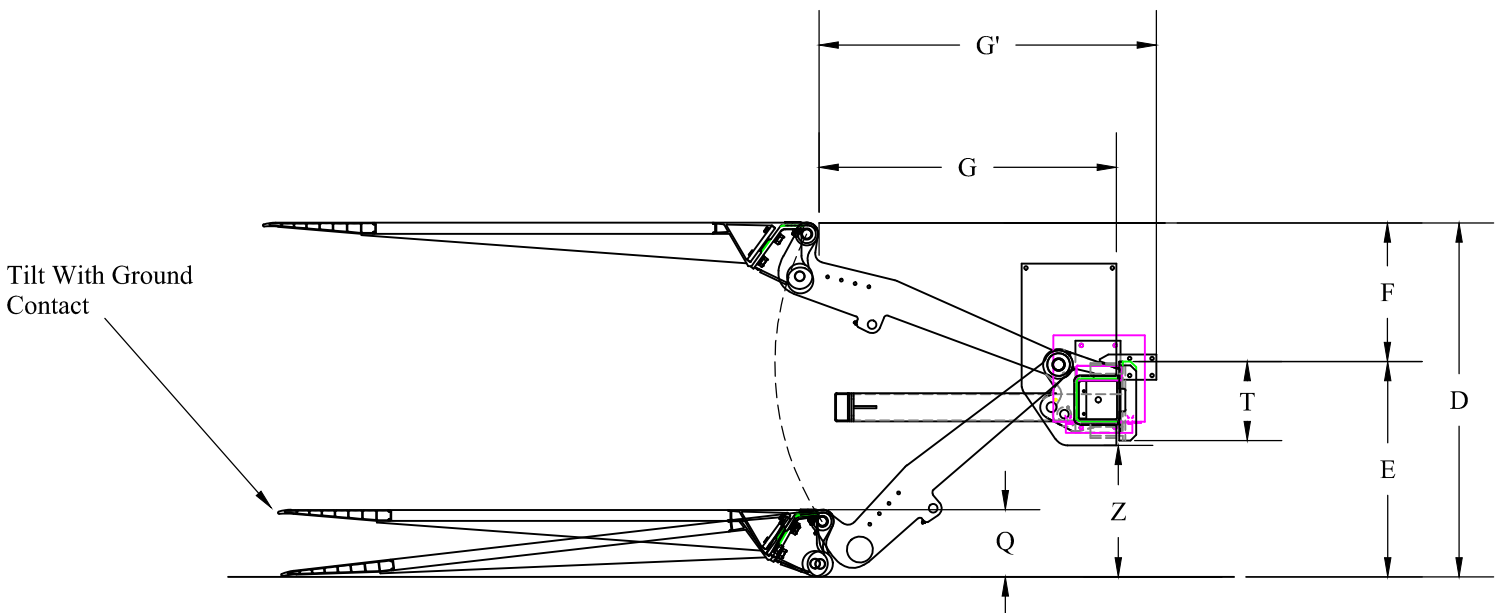
# APPENDIX A - LIST OF INSTALLATION DIMENSIONS SORTED BY BED HEIGHT

F3CL66 HS - 6600 Lbs											
D- BED HEIGHT	E	F	G	G'	Z	Le		Q	M	N	T
						max	min				
53	26.0	27.0	36.14	41.71	14.25	34.2	29.5	9.2	61.8	45.6	11.4
	27.0	26.0	36.98	42.55	15.25						
	28.0	25.0	37.77	43.34	16.25						
	29.0	24.0	38.51	44.08	17.25						
	29.5	23.5	38.86	44.43	17.75						
All dimensions in inches											
Anteo USA suggested installation position											
E: distance between the top surface of the trunion clamp and the ground											
F: distance between bed height and top of trunion clamp											
G: distance between the platform and the end of the bracket											
G': distance between the platform and the end of the power unit											
Z (ground clearance): distance between the ground and the lowest part of the trunion											



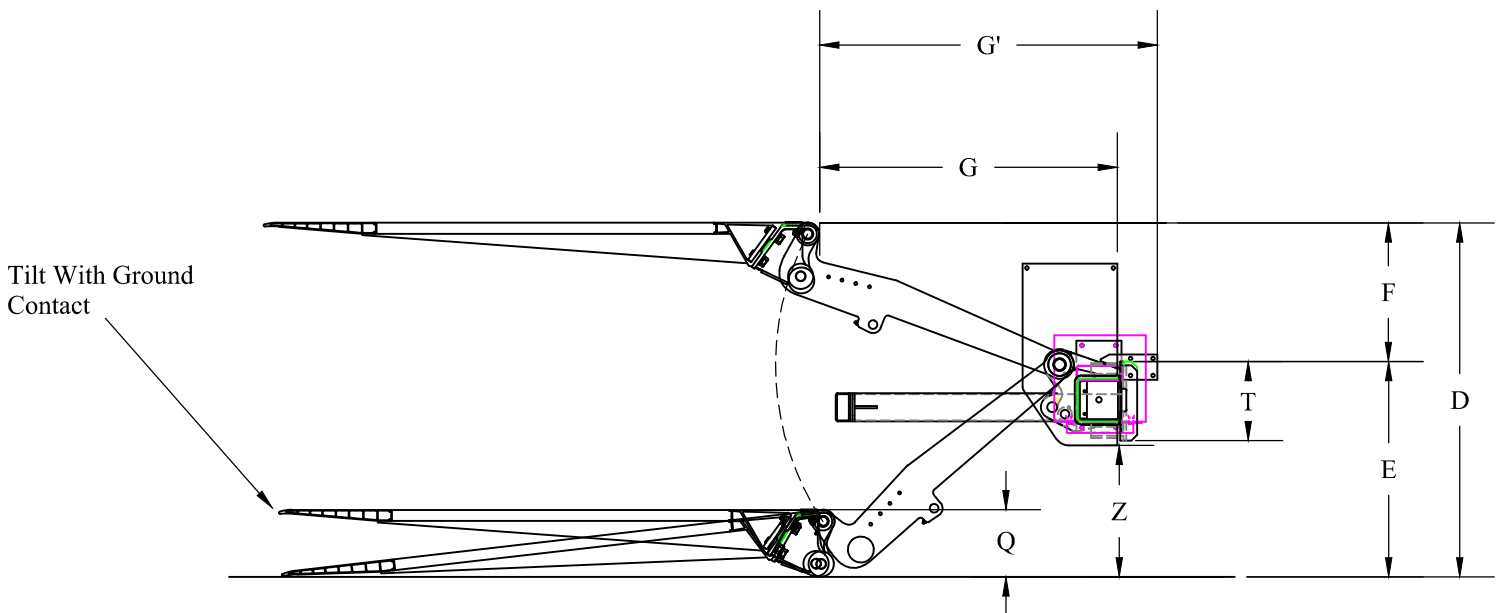
# APPENDIX A - LIST OF INSTALLATION DIMENSIONS SORTED BY BED HEIGHT

F3CL66 HS - 6600 Lbs											
D- BED HEIGHT	E	F	G	G'	Z	Le		Q	M	N	T
						max	min				
54	26.0	28.0	35.24	40.81	14.25	34.2	29.5	9.2	61.8	45.6	11.4
	27.0	27.0	36.14	41.71	15.25						
	28.0	26.0	36.98	42.55	16.25						
	29.0	25.0	37.77	43.34	17.25						
	29.5	24.5	38.15	43.72	17.75						
All dimensions in inches											
Anteo USA suggested installation position											
E: distance between the top surface of the trunion clamp and the ground											
F: distance between bed height and top of trunion clamp											
G: distance between the platform and the end of the bracket											
G': distance between the platform and the end of the power unit											
Z (ground clearance): distance between the ground and the lowest part of the trunion											



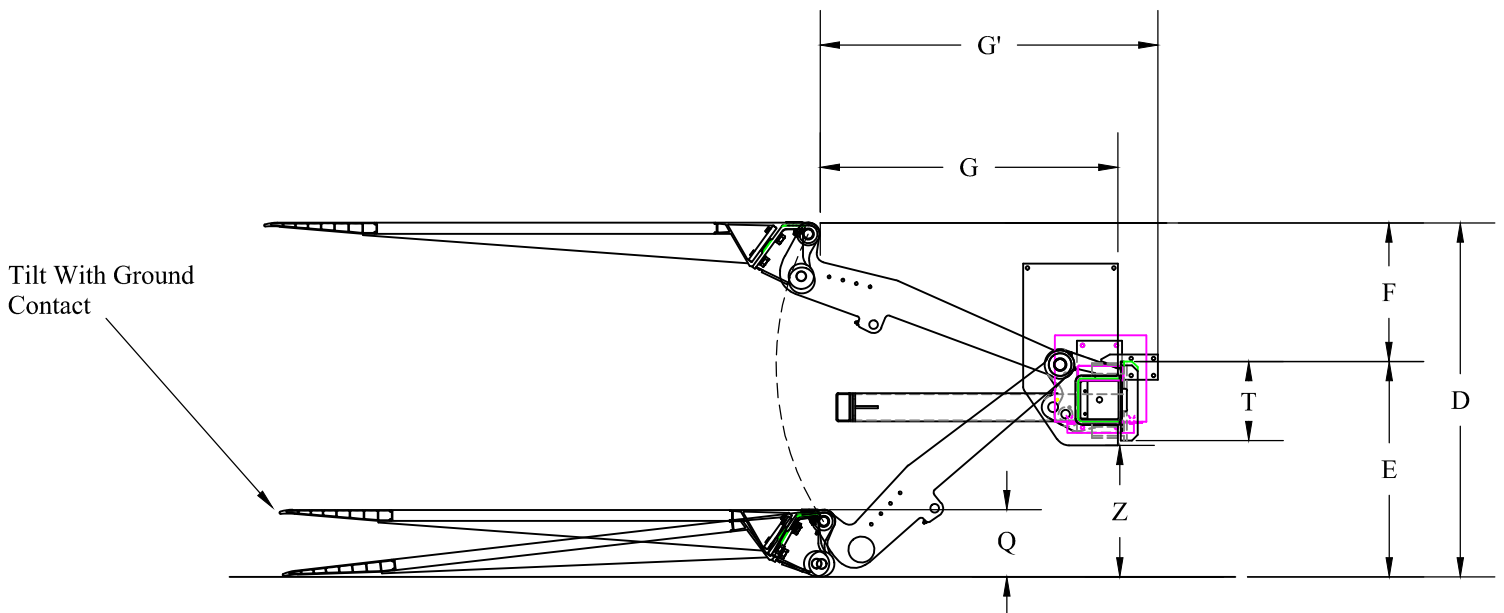
# APPENDIX A - LIST OF INSTALLATION DIMENSIONS SORTED BY BED HEIGHT

F3CL66 HS - 6600 Lbs											
D- BED HEIGHT	E	F	G	G'	Z	Le		Q	M	N	T
						max	min				
55	26.0	29.0	34.28	39.85	14.25	34.2	29.5	9.2	61.8	45.6	11.4
	27.0	28.0	35.24	40.81	15.25						
	28.0	27.0	36.14	41.71	16.25						
	29.0	26.0	36.98	42.55	17.25						
	29.5	25.5	37.38	42.95	17.75						
<b>All dimensions in inches</b>											
<b>Anteo USA suggested installation position</b>											
<b>E: distance between the top surface of the trunion clamp and the ground</b>											
<b>F: distance between bed height and top of trunion clamp</b>											
<b>G: distance between the platform and the end of the bracket</b>											
<b>G': distance between the platform and the end of the power unit</b>											
<b>Z (ground clearance): distance between the ground and the lowest part of the trunion</b>											



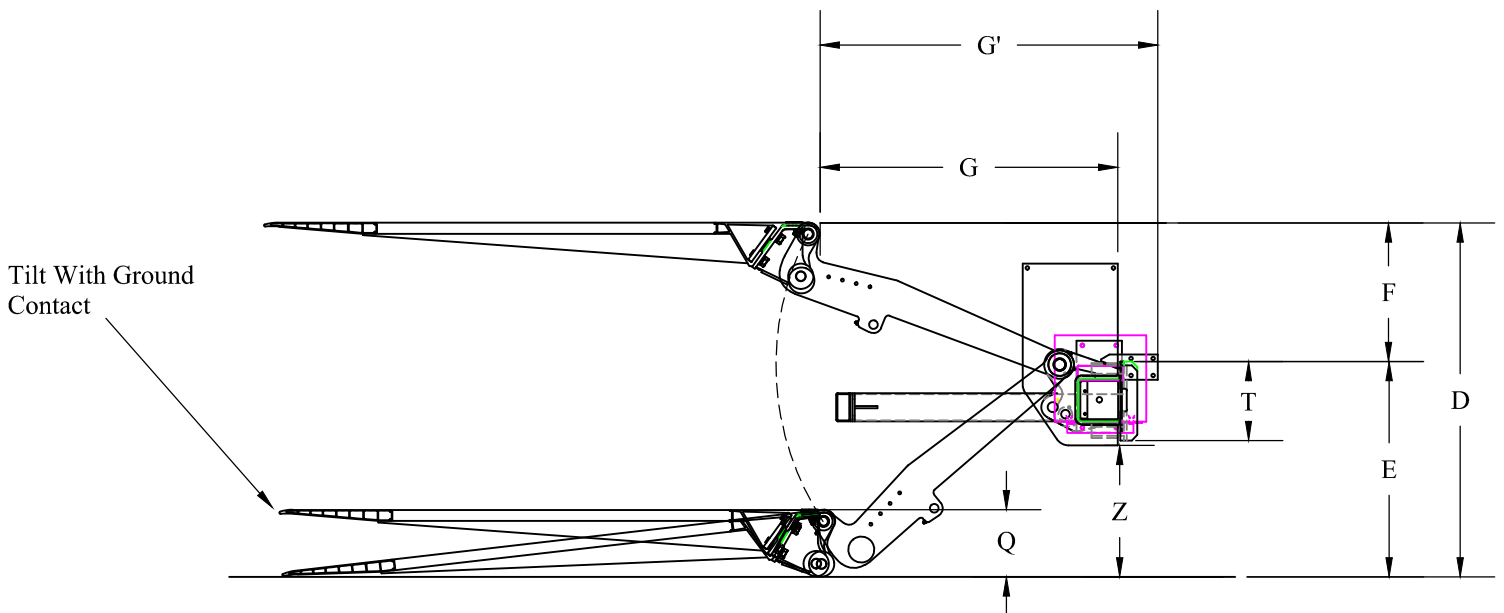
# APPENDIX A - LIST OF INSTALLATION DIMENSIONS SORTED BY BED HEIGHT

F3CL66 HS - 6600 Lbs											
D- BED HEIGHT	E	F	G	G'	Z	Le		Q	M	N	T
						max	min				
56	26.0	30.0	33.24	38.81	14.25	34.2	29.5	9.2	61.8	45.6	11.4
	27.0	29.0	34.28	39.85	15.25						
	28.0	28.0	35.24	40.81	16.25						
	29.0	27.0	36.14	41.71	17.25						
	29.5	26.5	36.57	42.14	17.75						
<b>All dimensions in inches</b>											
<b>Anteo USA suggested installation position</b>											
<b>E: distance between the top surface of the trunion clamp and the ground</b>											
<b>F: distance between bed height and top of trunion clamp</b>											
<b>G: distance between the platform and the end of the bracket</b>											
<b>G': distance between the platform and the end of the power unit</b>											
<b>Z (ground clearance): distance between the ground and the lowest part of the trunion</b>											



# APPENDIX A - LIST OF INSTALLATION DIMENSIONS SORTED BY BED HEIGHT

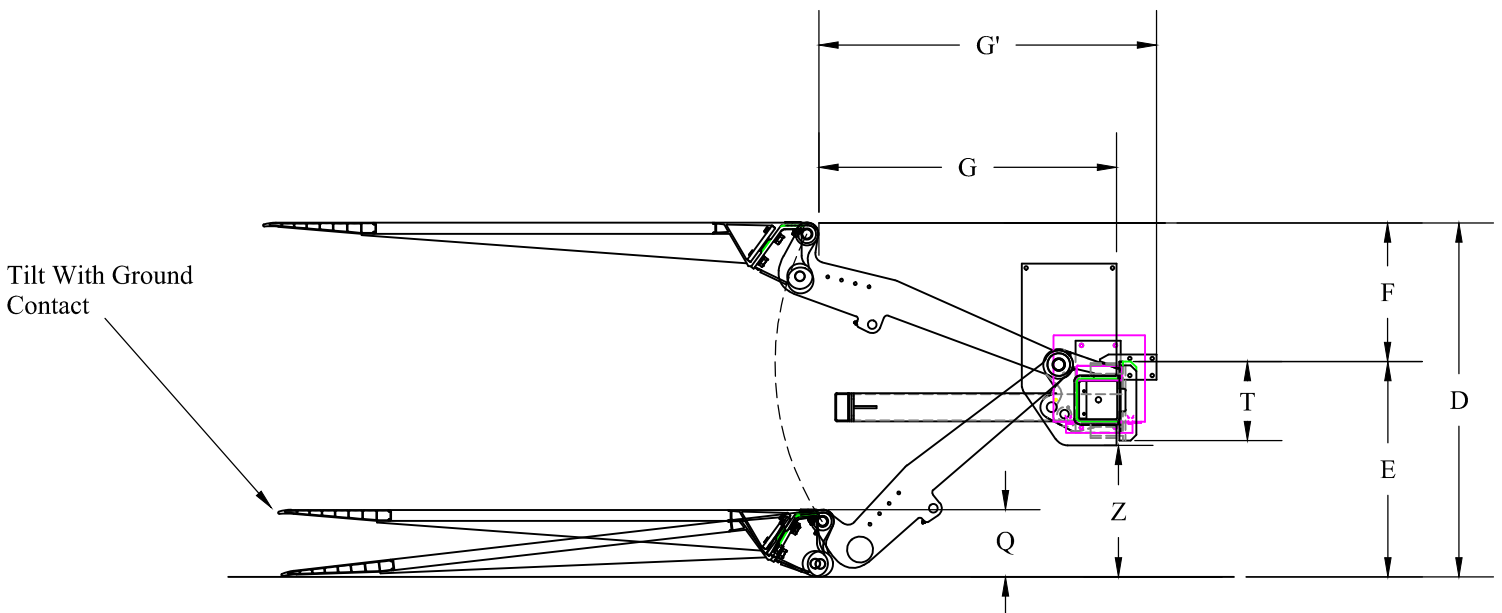
F3CL66 HS - 6600 Lbs											
D- BED HEIGHT	E	F	G	G'	Z	Le		Q	M	N	T
						max	min				
57	26.5	30.5	32.69	38.26	14.75	34.2	29.5	9.2	61.8	45.6	11.4
	27.0	30.0	33.24	38.81	15.25						
	28.0	29.0	34.28	39.85	16.25						
	29.0	28.0	35.24	40.81	17.25						
	29.5	27.5	35.70	41.27	17.75						
All dimensions in inches											
Anteo USA suggested installation position											
E: distance between the top surface of the trunion clamp and the ground											
F: distance between bed height and top of trunion clamp											
G: distance between the platform and the end of the bracket											
G': distance between the platform and the end of the power unit											
Z (ground clearance): distance between the ground and the lowest part of the trunion											





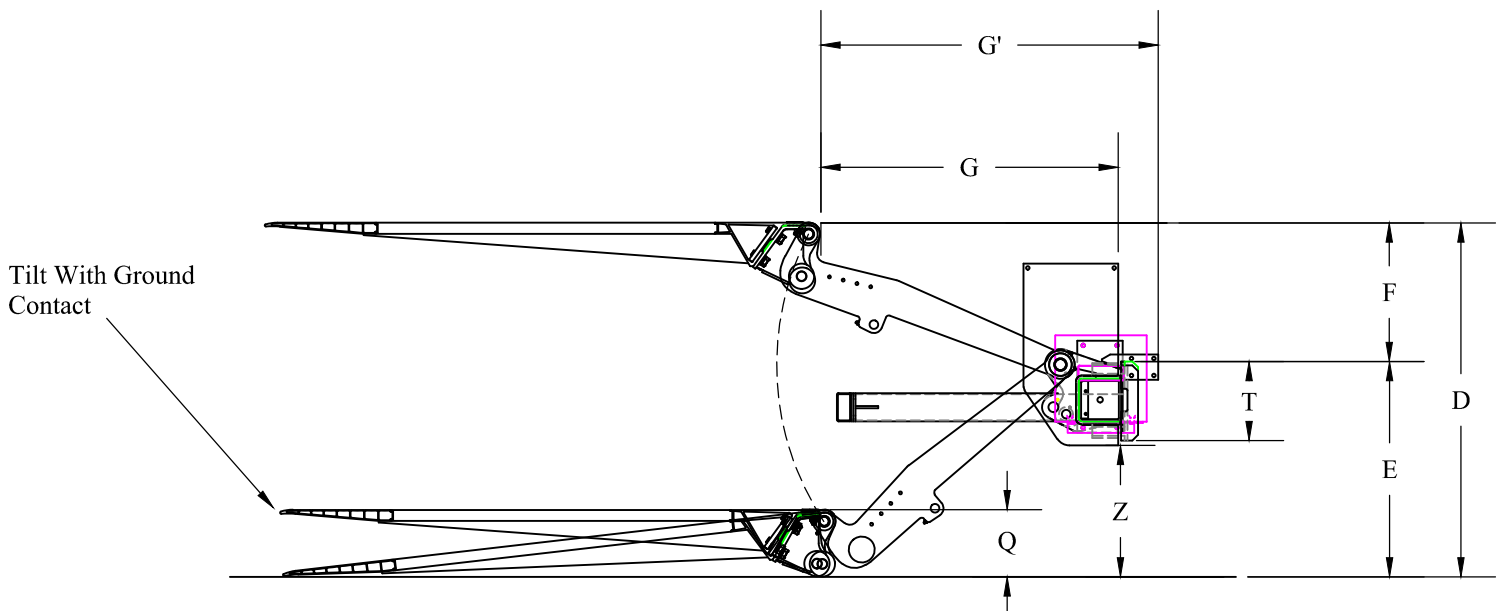
# APPENDIX A - LIST OF INSTALLATION DIMENSIONS SORTED BY BED HEIGHT

F3CL66 HS - 6600 Lbs											
D- BED HEIGHT	E	F	G	G'	Z	Le		Q	M	N	T
						max	min				
58	27.5	30.5	32.69	38.26	15.75	34.2	29.5	9.2	61.8	45.6	11.4
	28.0	30.0	33.24	38.81	16.25						
	29.0	29.0	34.28	39.85	17.25						
	29.5	28.5	34.77	40.34	17.45						
All dimensions in inches											
Anteo USA suggested installation position											
E: distance between the top surface of the trunion clamp and the ground											
F: distance between bed height and top of trunion clamp											
G: distance between the platform and the end of the bracket											
G': distance between the platform and the end of the power unit											
Z (ground clearance): distance between the ground and the lowest part of the trunion											



# APPENDIX A - LIST OF INSTALLATION DIMENSIONS SORTED BY BED HEIGHT

F3CL66 HS - 6600 Lbs											
D- BED HEIGHT	E	F	G	G'	Z	Le		Q	M	N	T
						max	min				
59	28.5	30.5	32.69	38.26	16.75	34.2	29.5	9.2	61.8	45.6	11.4
	29.0	30.0	33.24	38.81	17.25						
	29.5	29.5	34.28	39.34	17.75						
<b>All dimensions in inches</b>											
<b>Anteo USA suggested installation position</b>											
<b>E: distance between the top surface of the trunion clamp and the ground</b>											
<b>F: distance between bed height and top of trunion clamp</b>											
<b>G: distance between the platform and the end of the bracket</b>											
<b>G': distance between the platform and the end of the power unit</b>											
<b>Z (ground clearance): distance between the ground and the lowest part of the trunion</b>											



# APPENDIX A - LIST OF INSTALLATION DIMENSIONS SORTED BY BED HEIGHT

F3CL66 HS - 6600 Lbs											
D- BED HEIGHT	E	F	G	G'	Z	Le		Q	M	N	T
						max	min				
60	29.5	30.5	32.69	38.26	17.75	34.2	29.5	9.2	61.8	45.6	11.4
All dimensions in inches											
Anteo USA suggested installation position											
E: distance between the top surface of the trunion clamp and the ground											
F: distance between bed height and top of trunion clamp											
G: distance between the platform and the end of the bracket											
G': distance between the platform and the end of the power unit											
Z (ground clearance): distance between the ground and the lowest part of the trunion											

